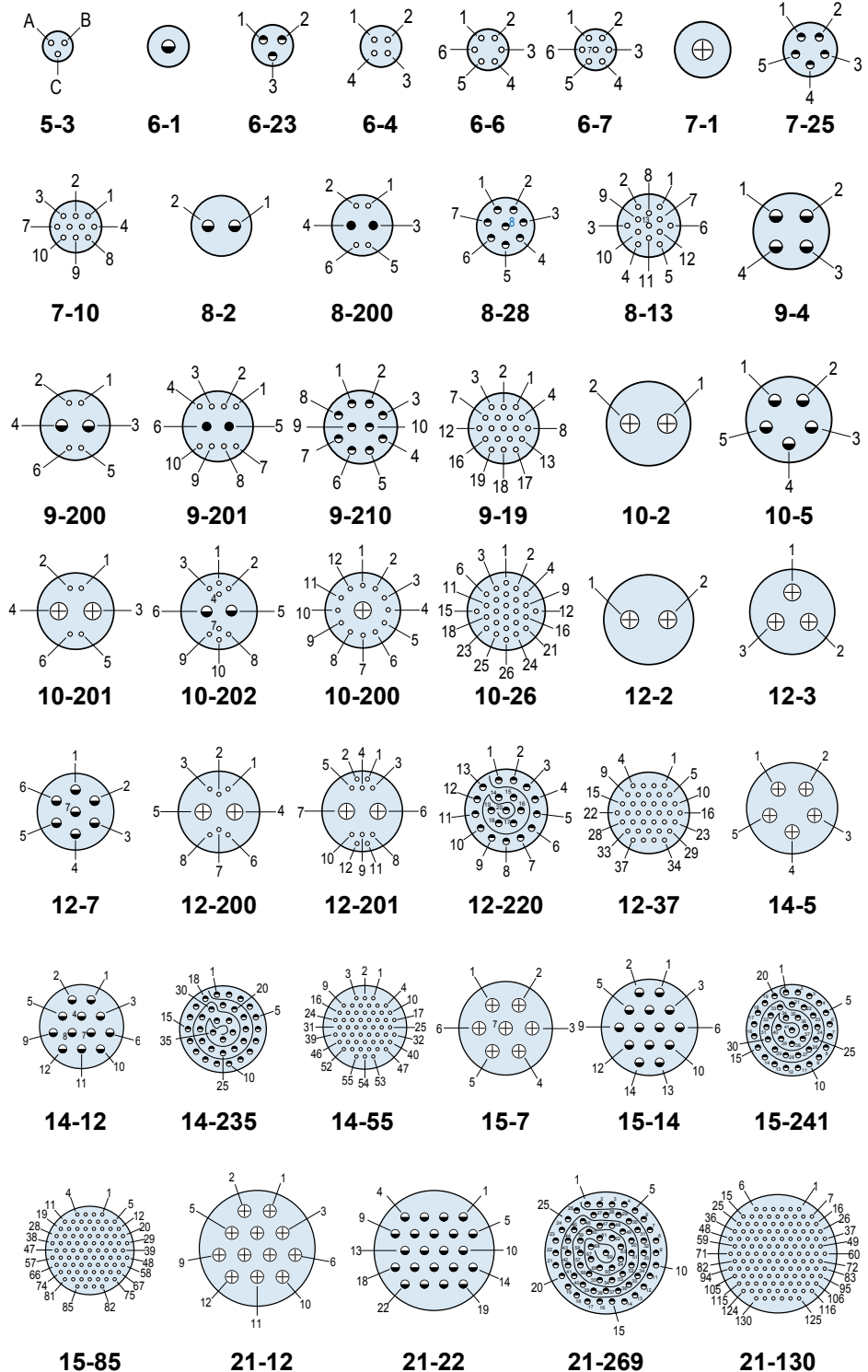


**CONTACT ARRANGEMENTS**

Contact Arr.	No. of Contacts				
	#23	#20	#20HD	#16	#12
5-3	3				
6-1				1	
6-23			3		
6-4	4				
6-6	6				
6-7	7				
7-1					1
7-25			5		
7-10	10				
8-2				2	
8-28			8		
8-13	13				
8-200	4	2			
9-4				4	
9-210			10		
9-19	19				
9-200	4			2	
9-201	8	2			
10-2					2
10-5				5	
10-26	26				
10-200	12				1
10-201	4				2
10-202	8			2	
12-2					2
12-3					3
12-7				7	
12-220			20		
12-37	37				
12-200	6				2
12-201	10				2
14-5					5
14-12				12	
14-235			35		
14-55	55				
15-7					7
15-14				14	
15-241			41		
15-85	85				
21-12					12
21-22				22	
21-269			69		
21-130	130				

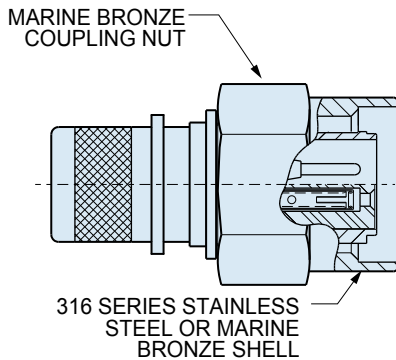
**Mating Face View of Pin Connector  
(socket connector numbers are reversed)**

Contact Legend  
#23⊕ #20HD⊕ #20● #16⊕ #12⊕

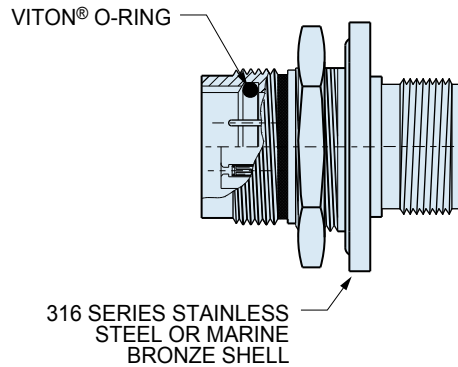


Dimensions in inches (millimeters) and are subject to change without notice.

**Series 802 Aqua Mouse  
3500 PSI Submersible Connectors  
General Information**



**Series 802 Plug**



**Series 802 Receptacle**

**Stainless Steel or Marine Bronze**

Available in ten sizes from 1 to 130 contacts, Series 802 connectors feature 316 stainless steel or marine bronze shells. Viton® o-rings resist high temperature and corrosive chemicals.

**3500 psi**

These connectors withstand up to 3500 PSI hydrostatic pressure in a mated condition. Hermetic versions withstand 1000 PSI open face pressure.

**Glenair's Series 802 Aqua Mouse Delivers High-Pressure Sealing and Rugged Design in a Miniature Package**

Originally developed for petroleum pipeline inspection equipment, Series 802 connectors withstand exposure to corrosive environments and high pressure. These connectors feature high density crimp Mighty Mouse inserts, 316 stainless steel or marine bronze shells and a "piston" o-ring for hydrostatic sealing. Gold-plated contacts accept #12-30 AWG wire. Printed circuit board receptacles are available, along with hermetic receptacles.



**SPECIFICATIONS**

Current Rating	#23 5 AMPS, #16 13 A., #12 23 A.
Dielectric Withstanding Voltage	#23 500 VAC RMS, #16 and #12 1800 VAC RMS
Insulation Resistance	5000 megohms minimum
Operating Temperature	-55° C. to +150° C.
Hydrostatic Pressure	3500 PSI mated, 1000 PSI open face (hermetic)
Shock	300 g.
Vibration	37 g.
Durability	2000 mating cycles

**MATERIALS AND FINISHES**

Shells, Jam Nuts	316 stainless steel or marine bronze
Coupling Nuts	Marine bronze, unplated
Contacts	Copper alloy, 50 μinch gold plated. Socket hood: stainless steel, passivated. Hermetic pin contacts: Nickel-Iron alloy per ASTM-F-30, 50 μinch gold plated.
Insulators	Liquid crystal polymer (LCP) , 30% glass-filled
Contact Retention Clip	Beryllium copper alloy
Interfacial Seal, O-rings	Viton Rubber
Interfacial seal, rear grommet	Fluorosilicone rubber, blue
O-rings	Viton®

Dimensions in inches (millimeters) and are subject to change without notice.



# Series 802 Aqua Mouse Submersible Plug Connector Ordering Information

802-008 and 802-009



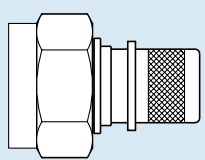
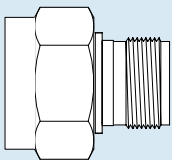
**Series 802 Plug**

**Stainless Steel** or **Marine Bronze Shell** with **Marine Bronze Coupling Nut** withstand corrosion in the most hostile environments. Rated for 3500 PSI when mated, these connectors are suitable for the most demanding geophysical and underwater applications.

**Gold-Plated Contacts** attach to wire with standard mil spec crimp tools. Contacts are packaged with connectors.

**Two Shell Styles:** Integral platform for direct shield attachment using **BAND-IT** termination system, or accessory thread for attaching accessories.

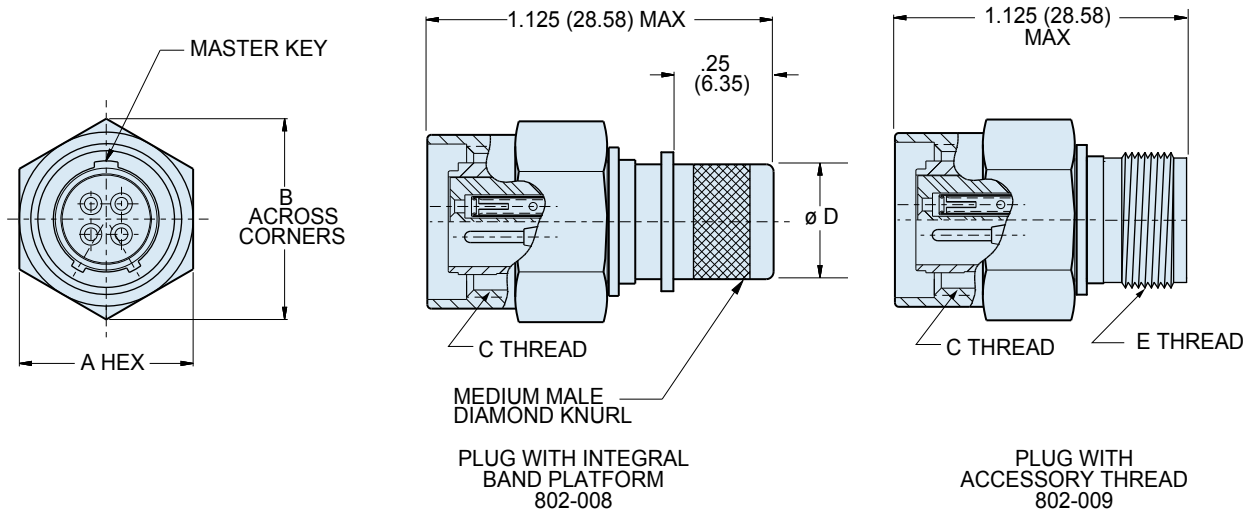
## HOW TO ORDER SERIES 802 PLUGS

Sample Part Number					
802-009	-06	Z1	9-19	S	A
Series	Shell Style	Shell Material / Finish	Shell Size- Insert Arrangement	Contact Type	Shell Key Position
<div style="text-align: center;">  <p><b>802-008</b> Plug with Banding/ Molding Platform</p> </div> <div style="text-align: center; margin-top: 20px;">  <p><b>802-009</b> Plug with Accessory Thread</p> </div>	<p><b>-06</b> Plug</p>	<p><b>Z1</b> Stainless Steel Shell / Passivated, with Marine Bronze Coupling Nut</p> <p><b>ZM</b> Stainless Steel Shell / Electroless Nickel Plated, with Marine Bronze Coupling Nut</p> <p><b>AB</b> Marine Bronze Shell and Coupling Nut / Unplated</p>	<p>SEE <b>CONTACT ARRANGEMENTS</b> PAGE E-2</p>	<p><b>Connector supplied with contacts</b></p> <p style="text-align: center;"><b>P</b> Pin</p> <p style="text-align: center;"><b>S</b> Socket</p> <p><b>Connector supplied without contacts</b></p> <p style="text-align: center;"><b>A</b> Pin Connector, less contacts</p> <p style="text-align: center;"><b>B</b> Socket Connector, less contacts</p> <p style="font-size: small;">Connectors with contacts are supplied with signal and/or power crimp contacts. These contacts are not installed.</p> <p style="font-size: small;">Coaxial contacts and non-standard signal contacts are ordered separately.</p>	<p><b>A</b> Normal</p> <p><b>B</b> Pos. B</p> <p><b>C</b> Pos. C</p> <p><b>D</b> Pos. D</p>

Dimensions in inches (millimeters) and are subject to change without notice.

# Series 802 Aqua Mouse Submersible Plug Connector Dimensions

802-008-06 and 802-009-06



DIMENSIONS								
Shell Size	A Hex		B Max.		C Mating Threads	Ø D		E Threads Accessory
	In.	mm.	In.	mm.		In.	mm.	
5	.500	12.70	.560	14.22	.438-28 UNEF	.232	5.90	.2500-32 UNEF-2A
6	.625	15.88	.720	18.29	.562-20 UN	.312	7.92	.3125-32 UNEF-2A
7	.688	17.48	.780	19.81	.625-20 UN	.375	9.53	.4375-28 UNEF-2A
8	.750	19.05	.860	21.84	.687-20 UN	.438	11.13	.5000-28 UNEF-2A
9	.812	20.62	.930	23.62	.750-20 UNEF	.500	12.70	.5625-24 UNEF-2A
10	.875	22.23	1.000	25.40	.812-20 UNEF	.562	14.27	.6250-24 UNEF-2A
12	.938	23.83	1.060	26.92	.875-20 UNEF	.656	16.66	.6875-24 UNEF-2A
14	1.125	28.58	1.250	31.75	1.062-20 UN	.812	20.62	.8750-20 UNEF-2A
15	1.188	30.18	1.320	33.53	1.125-20 UN	.885	22.40	.9375-20 UNEF-2A
21	1.562	39.67	1.700	43.18	1.437-20 UN	1.188	30.18	1.2500-18 UNEF-2A

SERIES 802 PLUG KEY POSITIONS		
Key Position	Key Rotation	
	A°	B°
Normal (A)	150°	210°
B	75°	210°
C	95°	230°
D	140°	275°

Dimensions in inches (millimeters) and are subject to change without notice.

## Series 802 Aqua Mouse Submersible Receptacle Ordering Information

802-010 and 802-011

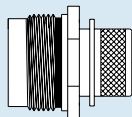
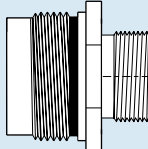
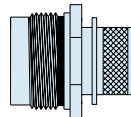
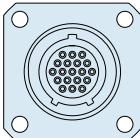
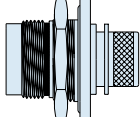
**Jam Nut, Rear Mount****Square Flange**

**Three Shell Mounting Options:** Jam nut with o-ring for rear panel mounting, square flange for front panel mounting, or in-line receptacles for free-hanging cables.

**Two Shell Styles:** Choose the integral band platform for direct attachment of a cable shield. Install a boot, or overmold a boot over the band platform. An accessory thread is available for attaching strain reliefs and backshells.

### HOW TO ORDER SERIES 802 CRIMP RECEPTACLES

Sample Part Number

802-011	-02	Z1	10-26	P	B
Series	Shell Style	Shell Material / Finish	Shell Size- Insert Arrangement	Contact Type	Shell Key Position
 <p><b>802-010</b> Receptacle with Banding Platform</p>  <p><b>802-011</b> Receptacle with Accessory Thread</p>	 <p><b>-01</b> In-Line</p>  <p><b>-02</b> Square Flange</p>  <p><b>-07</b> Jam Nut for Rear Panel Mounting</p>	<p><b>Z1</b> Stainless Steel / Passivated</p> <p><b>ZM</b> Stainless Steel / Electroless Nickel Plated</p> <p><b>AB</b> Marine Bronze / Unplated</p>	<p>SEE <b>CONTACT ARRANGEMENTS</b> PAGE E-2</p>	<p><b>Connector supplied with contacts</b></p> <p><b>P</b> Pin</p> <p><b>S</b> Socket</p> <p><b>Connector supplied without contacts</b></p> <p><b>A</b> Pin Connector, less contacts</p> <p><b>B</b> Socket Connector, less contacts</p> <p>Connectors with contacts are supplied with signal and/or power crimp contacts. These contacts are not installed.</p> <p>Coaxial contacts and non-standard signal contacts are ordered separately.</p>	<p><b>A</b> Normal</p> <p><b>B</b> Pos. B</p> <p><b>C</b> Pos. C</p> <p><b>D</b> Pos. D</p>

Dimensions in inches (millimeters) and are subject to change without notice.

© 2010 Glenair, Inc.

CAGE Code 06324

Printed in U.S.A.

**GLENAIR, INC. • 1211 AIR WAY • GLENDALE, CA 91201-2497 • 818-247-6000 • FAX 818-500-9912**

www.glenair.com

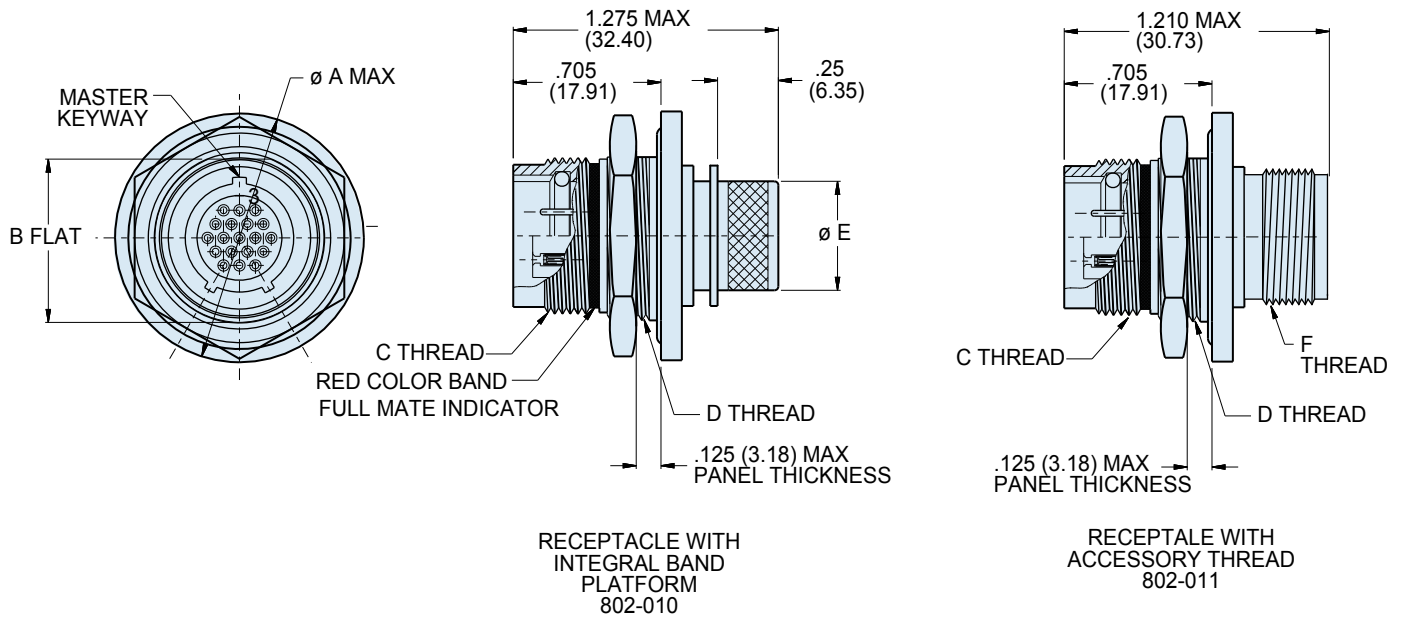
E-6

E-Mail: sales@glenair.com

Rev. 01-JAN-2010

# Series 802 Aqua Mouse Submersible Jam Nut Receptacle Connector Dimensions

802-010-07 and 802-011-07

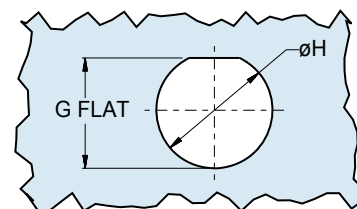
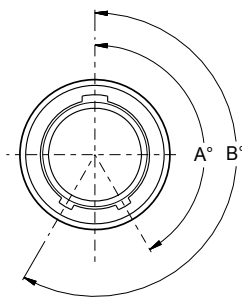


## DIMENSIONS

Shell Size	A Max.		B Flat		C Mating Threads	D Jam Nut Threads	Ø E		F Accessory Threads	G Flat		Ø H	
	In.	mm.	In. ±.003	mm. ±0.08			In.	mm.		In. ±.002	mm. ±0.05	In. ±.005	mm. ±0.13
5	.885	22.48	.466	11.84	.438-28 UNEF	.500-32 UN-2A	.232	5.90	.2500-32 UNEF-2A	.473	12.01	.510	12.95
6	1.010	25.65	.591	15.01	.562-20 UN	.625-28 UN-2A	.312	7.92	.3125-32 UNEF-2A	.603	15.32	.635	16.13
7	1.072	27.23	.653	16.59	.625-20 UN	.687-28 UN-2A	.375	9.53	.4375-28 UNEF-2A	.662	16.81	.698	17.73
8	1.135	28.83	.716	18.19	.687-20 UN	.750-28 UN-2A	.438	11.13	.5000-28 UNEF-2A	.714	18.14	.760	19.30
9	1.195	30.35	.778	19.76	.750-20 UNEF	.812-28 UN-2A	.500	12.70	.5625-24 UNEF-2A	.785	19.94	.822	20.88
10	1.260	32.00	.827	21.01	.812-20 UNEF	.875-28 UN-2A	.562	14.27	.6250-24 UNEF-2A	.835	21.21	.885	22.48
12	1.322	33.58	.890	22.61	.875-20 UNEF	.938-28 UN-2A	.656	16.66	.6875-24 UNEF-2A	.899	22.83	.948	24.08
14	1.510	38.25	1.077	27.36	1.062-20 UN	1.125-28 UN-2A	.812	20.62	.8750-20 UNEF-2A	1.085	27.56	1.135	28.83
15	1.572	39.93	1.140	28.96	1.125-20 UN	1.188-28 UN-2A	.885	22.40	.9375-20 UNEF-2A	1.155	29.34	1.198	30.43
21	1.940	49.28	1.464	37.19	1.4375-20 UN	1.500-28 UN-2A	1.188	30.18	1.2500-20 UNEF-2A	1.473	37.41	1.510	39.12

## SERIES 802 RECEPTACLE KEY POSITIONS

Key Position	Key Rotation	
	A°	B°
Normal (A)	150°	210°
B	75°	210°
C	95°	230°
D	140°	275°



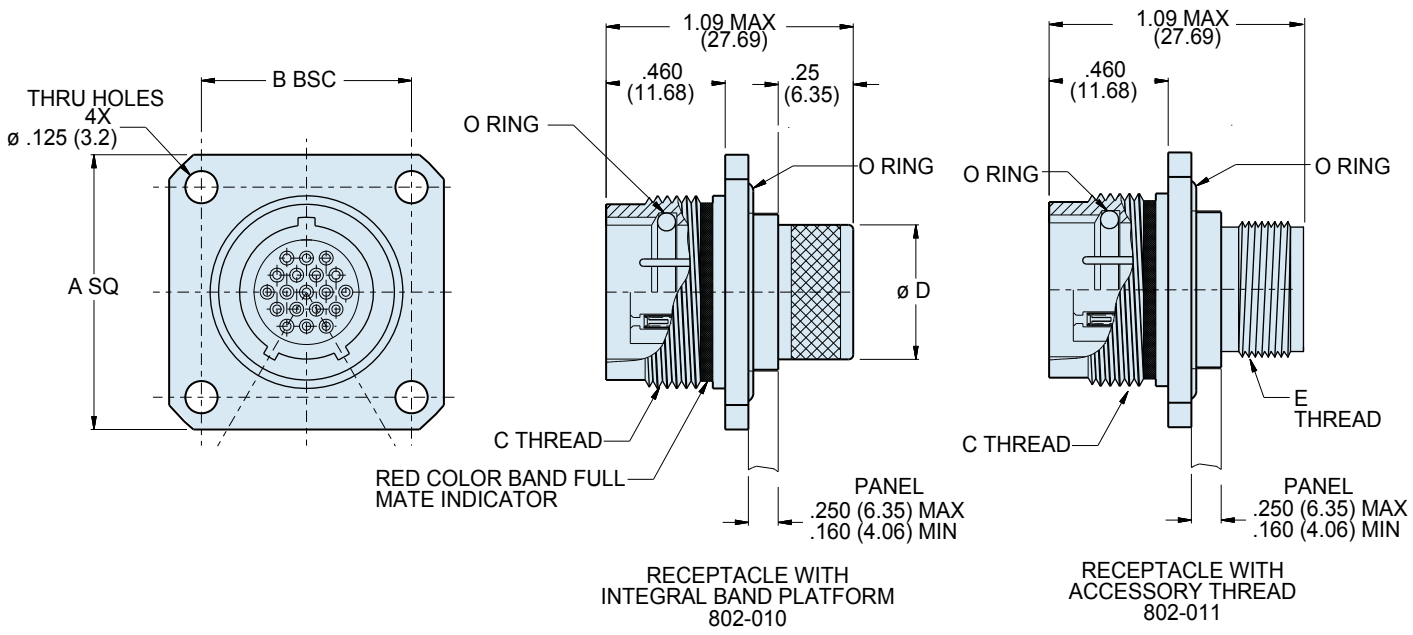
RECOMMENDED PANEL CUTOUT

Dimensions in inches (millimeters) and are subject to change without notice.



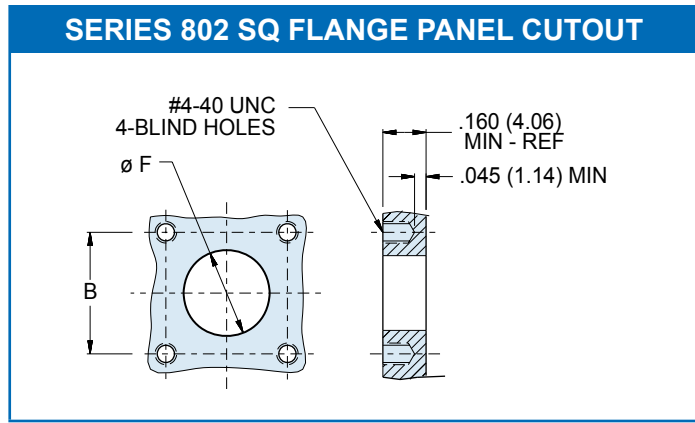


# Series 802 Aqua Mouse Submersible Square Flange Receptacle Connector Dimensions 802-010-02 and 802-011-02



DIMENSIONS										
Shell Size	A Square		B Bsc.		C Mating Threads	Ø D		E Accessory Threads	Ø F	
	In.	mm.	In.	mm.		In.	mm.		In.	mm.
5	.885	22.48	.500	12.70	.438-28 UNEF	.232	5.90	.2500-32 UNEF-2A	.327	8.31
6	1.010	25.65	.625	15.88	.562-20 UN	.312	7.92	.3125-32 UNEF-2A	.390	9.91
7	1.072	27.23	.688	17.48	.625-20 UN	.375	9.53	.4375-28 UNEF-2A	.515	13.08
8	1.135	28.83	.750	19.05	.687-20 UN	.438	11.13	.5000-28 UNEF-2A	.577	14.66
9	1.195	30.35	.812	20.62	.750-20 UNEF	.500	12.70	.5625-24 UNEF-2A	.640	16.26
10	1.260	32.00	.875	22.23	.812-20 UNEF	.562	14.27	.6250-24 UNEF-2A	.702	17.83
12	1.322	33.58	.938	23.83	.875-20 UNEF	.656	16.66	.6875-24 UNEF-2A	.765	19.43
14	1.510	38.25	1.125	28.58	1.062-20 UN	.812	20.62	.8750-20 UNEF-2A	.953	24.21
15	1.573	39.95	1.188	30.18	1.125-20 UN	.885	22.40	.9375-20 UNEF-2A	1.015	25.78
21	1.750	44.45	1.375	34.93	1.4375-20 UN	1.188	30.18	1.2500-20 UNEF-2A	1.312	33.32

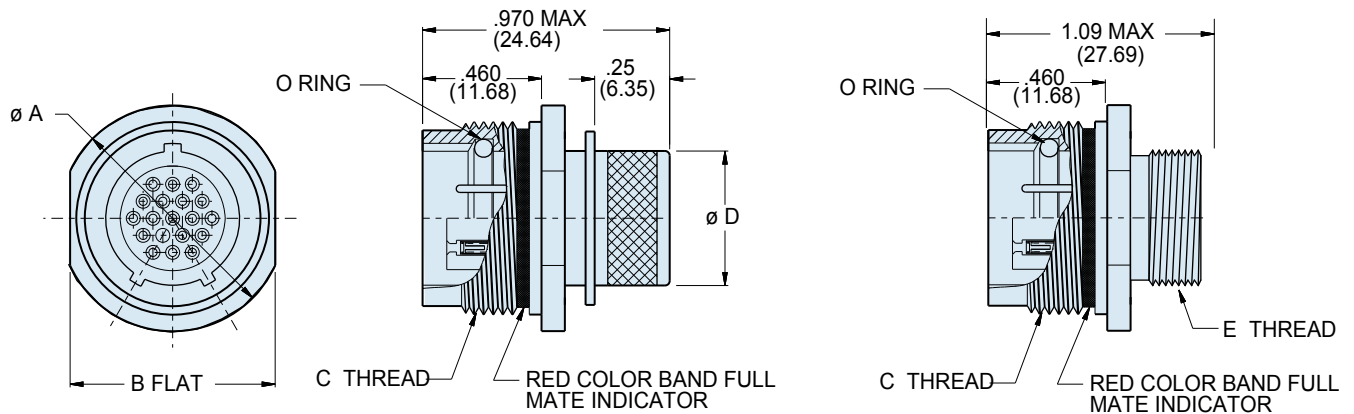
SERIES 802 RECEPTACLE KEY POSITIONS		
Key Position	Key Rotation	
	A°	B°
Normal (A)	150°	210°
B	75°	210°
C	95°	230°
D	140°	275°



Dimensions in inches (millimeters) and are subject to change without notice.

# Series 802 Aqua Mouse Submersible In-Line Receptacle Connector Dimensions

## 802-010-01 and 802-011-01



IN-LINE RECEPTABLE WITH  
INTEGRAL BAND PLATFORM  
802-010

IN-LINE RECEPTABLE WITH  
ACCESSORY THREAD  
802-011

DIMENSIONS								
Shell Size	$\varnothing A$		B Flats		C Mating Threads	$\varnothing D$		E Accessory Threads
	In.	mm.	In.	mm.		In.	mm.	
<b>5</b>	.560	14.22	.500	12.70	.438-28 UNEF	.232	5.90	.2500-32 UNEF-2A
<b>6</b>	.720	18.29	.625	15.88	.562-20 UN	.312	7.92	.3125-32 UNEF-2A
<b>7</b>	.780	19.81	.688	17.48	.625-20 UN	.375	9.53	.4375-28 UNEF-2A
<b>8</b>	.860	21.84	.750	19.05	.687-20 UN	.438	11.13	.5000-28 UNEF-2A
<b>9</b>	.930	23.62	.812	20.62	.750-20 UNEF	.500	12.70	.5625-24 UNEF-2A
<b>10</b>	1.000	25.40	.875	22.23	.812-20 UNEF	.562	14.27	.6250-24 UNEF-2A
<b>12</b>	1.060	26.92	.938	23.83	.875-20 UNEF	.656	16.66	.6875-24 UNEF-2A
<b>14</b>	1.250	31.75	1.125	28.58	1.062-20 UN	.812	20.62	.8750-20 UNEF-2A
<b>15</b>	1.320	33.53	1.188	30.18	1.125-20 UN	.885	22.40	.9375-20 UNEF-2A
<b>21</b>	1.690	42.93	1.562	39.67	1.4375-20 UN	1.188	30.18	1.2500-20 UNEF-2A

SERIES 802 RECEPTACLE KEY POSITIONS		
Key Position	Key Rotation	
	A°	B°
Normal (A)	150°	210°
B	75°	210°
C	95°	230°
D	140°	275°

Dimensions in inches (millimeters) and are subject to change without notice.

CAGE Code 06324

Printed in U.S.A.





**Square Flange Receptacle  
with PCB Contacts**

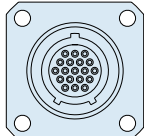
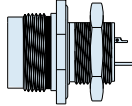
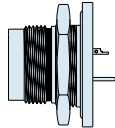
**Printed Circuit Board/Solder Cup Receptacles** feature low profile shells for minimum protrusion inside enclosures and integral standoffs for board washout. Contacts are non-removable.

**Water Immersion, Unmated**

Specify **802-012** connectors for applications where open face water immersion is not a requirement. For MIL-STD-810 Method 512G immersion requirements, specify **802-030** watertight connectors. These 802-030 connectors are specially sealed ("MOD-518") and are 100% tested to maintain a helium leak rate of  $1 \times 10^{-4}$  cc/second at one atmosphere pressure differential from -40C to +70C.

### HOW TO ORDER SERIES 802 PCB / SOLDER CUP RECEPTACLES

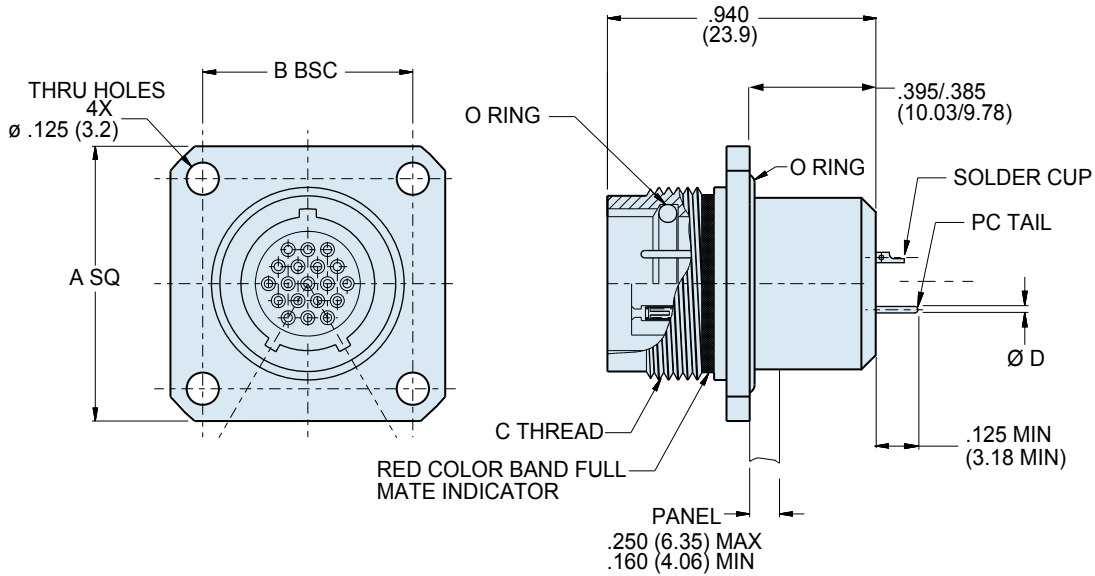
Sample Part Number

802-012	-00	Z1	9-200	P	A
Series	Shell Style	Shell Material / Finish	Shell Size- Insert Arrangement	Contact Type	Shell Key Position
<p><b>802-012</b> Receptacle for Solder Cup or PCB Termination, with Standard Epoxy Potting</p>	 <b>-02</b> Square Flange	<p><b>Z1</b> Stainless Steel / Passivated</p> <p><b>ZM</b> Stainless Steel / Electroless Nickel Plated</p> <p><b>AB</b> Marine Bronze / Unplated</p>	<p>SEE <b>CONTACT ARRANGEMENTS</b> PAGE E-2</p>	<p><b>P</b> Pin, PC Tail</p> <p><b>S</b> Socket, PC Tail</p> <p><b>E</b> Pin, Solder Cup</p> <p><b>F</b> Socket, Solder Cup</p>	<p><b>A</b> Normal</p> <p><b>B</b> Pos. B</p> <p><b>C</b> Pos. C</p> <p><b>D</b> Pos. D</p>
<p><b>802-030</b> Receptacle for Solder Cup or PCB Termination, With Special "MOD-518" Sealing For Open Face (unmated) Water Immersion Requirements. 100% Leak Tested.</p>	 <b>-00</b> Jam Nut for Front Panel Mounting   <b>-07</b> Jam Nut for Rear Panel Mounting				

Dimensions in inches (millimeters) and are subject to change without notice.

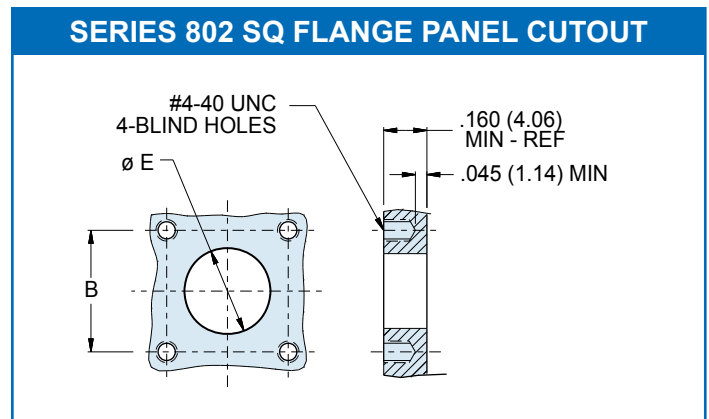
# Series 802 Aqua Mouse Submersible Square Flange Receptacle Connector Dimensions

802-012-02, 802-030-02



DIMENSIONS								
Shell Size	A Square		B Bsc.		C Mating Threads	Ø D Tail Dia.	Ø E	
	In.	mm.	In.	mm.			In.	mm.
5	.885	22.48	.500	12.70	.438-28 UNEF	#23	.327	8.31
6	1.010	25.65	.625	15.88	.562-20 UN	.018/.022 (0.46/0.56)	.390	9.91
7	1.072	27.23	.688	17.48	.625-20 UN	#20	.515	13.08
8	1.135	28.83	.750	19.05	.687-20 UN	.024/.028 (0.61/0.71)	.577	14.66
9	1.195	30.35	.812	20.62	.750-20 UNEF	#16	.640	16.26
10	1.260	32.00	.875	22.23	.812-20 UNEF	.060/.064 (1.52/1.63)	.702	17.83
12	1.322	33.58	.938	23.83	.875-20 UNEF	#12	.765	19.43
14	1.510	38.25	1.125	28.58	1.062-20 UN	.092/.096 (2.34/2.44)	.953	24.21
15	1.572	39.93	1.188	30.18	1.125-20 UN		1.015	25.78
21	1.750	44.45	1.375	34.93	1.4375-20 UN		1.312	33.32

SERIES 802 RECEPTACLE KEY POSITIONS		
Key Position	Key Rotation	
	A°	B°
Normal (A)	150°	210°
B	75°	210°
C	95°	230°
D	140°	275°

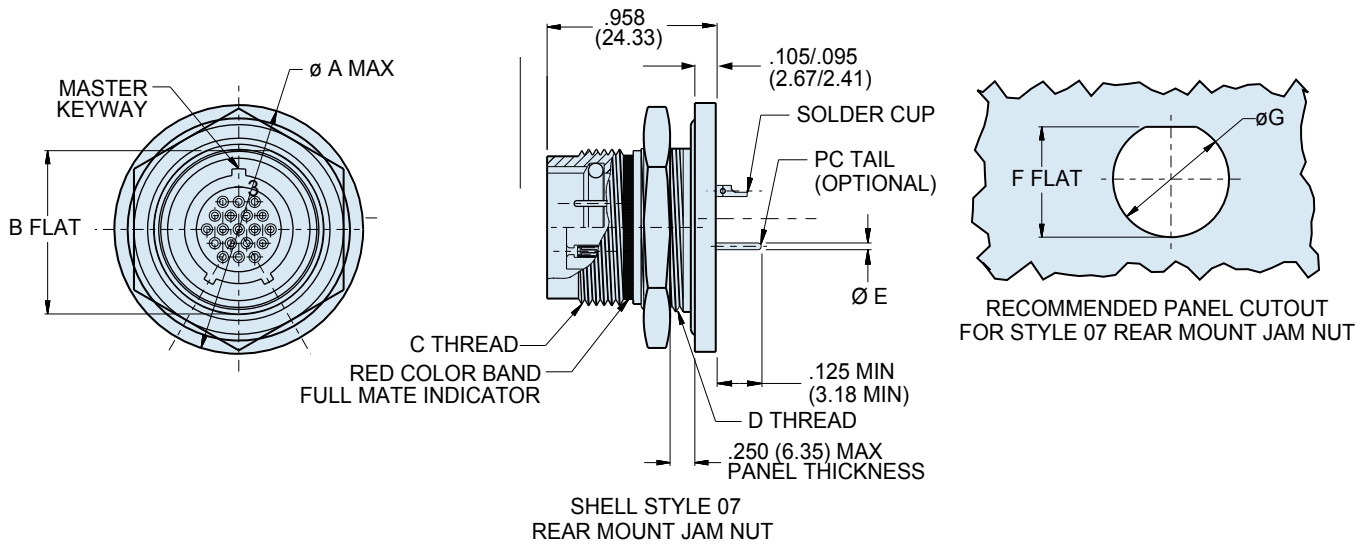


Dimensions in inches (millimeters) and are subject to change without notice.



# Series 802 Aqua Mouse Submersible Rear Mount Jam Nut Receptacle Connector Dimensions

802-012-07, 802-012-030



### DIMENSIONS

Shell Size	A Max.		B Flat		C Mating Threads	D Threads	Ø E Tail Dia.	F Flat		Ø G	
	In.	mm.	In. ±.003	mm. ±0.08				In. ±.002	mm. ±0.05	In. ±.005	mm. ±0.13
5	.885	22.48	.466	11.84	.438-28 UNEF	.500-32 UN-2A	#23	.473	12.01	.510	12.95
6	1.010	25.65	.591	15.01	.562-20 UN	.625-28 UN-2A	.018/.022 (0.46/0.56)	.603	15.32	.635	16.13
7	1.072	27.23	.653	16.59	.625-20 UN	.687-28 UN-2A	#20	.662	16.81	.698	17.73
8	1.135	28.83	.716	18.19	.687-20 UN	.750-28 UN-2A	.024/.028 (0.61/0.71)	.714	18.14	.760	19.30
9	1.195	30.35	.778	19.76	.750-20 UNEF	.812-28 UN-2A	#16	.785	19.94	.822	20.88
10	1.260	32.00	.827	21.01	.812-20 UNEF	.875-28 UN-2A	.060/.064 (1.52/1.63)	.835	21.21	.885	22.48
12	1.322	33.58	.890	22.61	.875-20 UNEF	.938-28 UN-2A	#12	.899	22.83	.948	24.08
14	1.510	38.25	1.077	27.36	1.062-20 UN	1.125-28 UN-2A	.092/.096 (2.34/2.44)	1.085	27.56	1.135	28.83
15	1.572	39.93	1.140	28.96	1.125-20 UN	1.188-28 UN-2A		1.155	29.34	1.198	30.43
21	1.940	49.28	1.464	37.19	1.4375-20 UN	1.500-28 UN-2A		1.473	37.41	1.510	39.12

### SERIES 802 RECEPTACLE KEY POSITIONS

Key Position	Key Rotation	
	A°	B°
Normal (A)	150°	210°
B	75°	210°
C	95°	230°
D	140°	275°

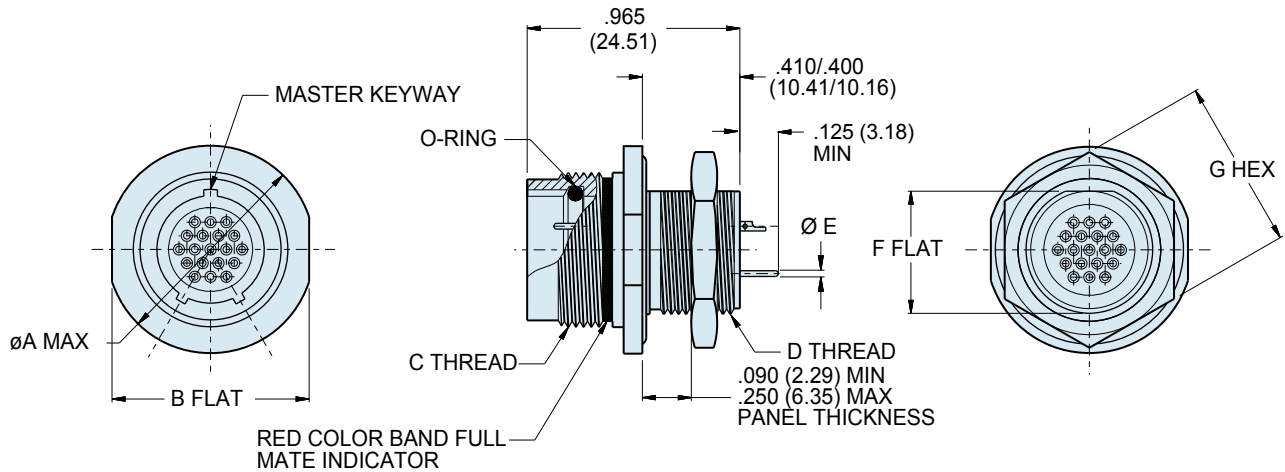
Dimensions in inches (millimeters) and are subject to change without notice.  
CAGE Code 06324

Printed in U.S.A.

© 2010 Glenair, Inc. **GLENAIR, INC. • 1211 AIR WAY • GLENDALE, CA 91201-2497 • 818-247-6000 • FAX 818-500-9912**

# Series 802 "Aqua Mouse" Submersible Front Mount Jam Nut Receptacle Connector Dimensions

802-012-00 and 802-030-00



SHELL STYLE 00  
FRONT MOUNT JAM NUT

DIMENSIONS											
Shell Size	A Max.		B Flat		C Mating Threads	D Threads	Ø E Tail Dia.	F Flat		G Hex	
	In.	mm.	In.	mm.				In.	mm.	In.	mm.
<b>5</b>	.720	18.29	.625	15.88	.438-28 UNEF-2A	.312-28 UN-2A	#23 (0.46/0.56)	.281	7.14	.500	12.70
<b>6</b>	.780	19.81	.750	19.05	.562-20 UN-2A	.438-28 UN-2A		.018/.022	.344	8.74	.625
<b>7</b>	.910	23.11	.812	20.62	.625-20 UN-2A	.500-32 UN-2A	#20 (0.61/0.71)	.469	11.91	.688	17.48
<b>8</b>	.960	24.38	.875	22.23	.687-20 UN-2A	.562-28 UN-2A		.024/.028	.531	13.49	.750
<b>9</b>	1.030	26.16	.937	23.80	.750-20 UNEF-2A	.625-28 UN-2A	#16 (1.52/1.63)	.594	15.09	.812	20.62
<b>10</b>	1.090	27.69	1.000	25.40	.812-20 UNEF-2A	.687-28 UN-2A		.060/.064	.656	16.66	.875
<b>12</b>	1.160	29.46	1.062	26.97	.875-20 UNEF-2A	.750-28 UN-2A	#12 (2.34/2.44)	.719	18.26	.938	23.83
<b>14</b>	1.340	34.04	1.250	31.75	1.062-20 UN-2A	.938-28 UN-2A		.092/.096	.893	22.68	1.125
<b>15</b>	1.410	35.18	1.312	33.32	1.125-20 UN-2A	1.000-28 UN-2A		.955	24.26	1.188	30.18
<b>21</b>	1.700	43.18	1.562	39.67	1.4375-20 UN-2A	1.312-28 UN		1.257	31.93	1.500	38.10

RECEPTACLE KEY POSITIONS		
Key Position	Rotation	
	A°	B°
Normal (A)	150°	210°
B	75°	210°
C	95°	230°
D	140°	275°

CUTOUT DIMENSIONS				
Shell Size	H Flat		Ø J	
	In.	mm.	In.	mm.
<b>5</b>	.291/.286	7.4/7.3	.322	8.2
<b>6</b>	.417/.412	10.6/10.5	.448	11.4
<b>7</b>	.479/.474	12.2/12.0	.510	13.0
<b>8</b>	.541/.536	13.7/13.6	.572	14.5
<b>9</b>	.604/.599	15.3/15.2	.635	16.1
<b>10</b>	.666/.661	16.9/16.8	.697	17.7
<b>12</b>	.729/.724	18.5/18.4	.760	19.3
<b>14</b>	.903/.898	22.9/22.8	.948	24.1
<b>15</b>	.965/.960	24.5/24.4	1.010	25.7
<b>21</b>	1.267/1.263	32.2/32.1	1.322	33.6

Dimensions in inches (millimeters) and are subject to change without notice.

# Series 802 "Aqua Mouse" Submersible Hermetic Receptacle Ordering Information

802-013



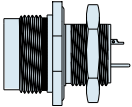
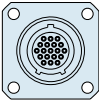
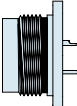
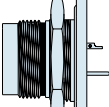
Style 00 Front Mount

**Series 802 Hermetic Receptacles** feature gold plated iron alloy contacts and compression glass dielectric material. The 316 series stainless steel connector shell provides excellent corrosion protection and is suitable for e-beam welding. Viton® o-rings offer improved resistance to high temperature and harsh chemicals.

**1 x 10<sup>-7</sup> cc/Second Maximum Helium Leak Rate.** Open face (unmated) pressure rating is 1000 PSI. When mated, Series 802 connectors withstand 3500 PSI hydrostatic pressure.

## HOW TO ORDER SERIES 802 HERMETIC RECEPTACLES

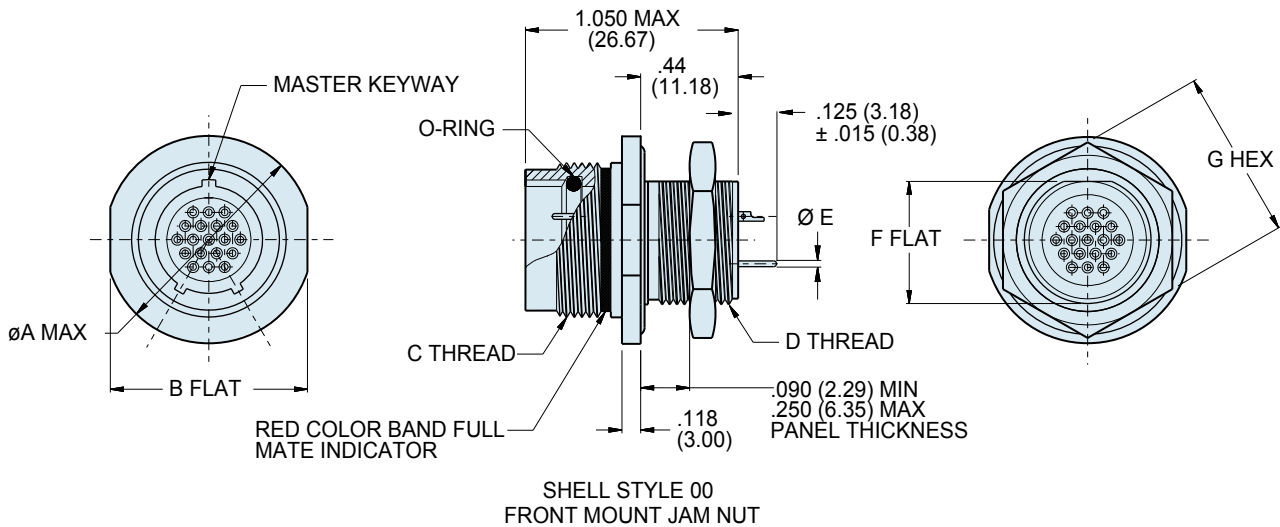
### Sample Part Number

802-013	-00	Z1	6-7	P	A
Series	Shell Style	Shell Material / Finish	Shell Size- Insert Arrangement	Contact Type	Shell Key Position
<b>802-013</b> Series 802 Hermetic Receptacle with Solder Cup or PCB Contacts	 <b>-00</b> Jam Nut for Front Panel Mounting   <b>-02</b> Square Flange for Front Panel Mounting   <b>-03</b> Weld Mount   <b>-07</b> Square Flange for Rear Panel Mounting	<b>Z1</b> Stainless Steel / Passivated  <b>ZL</b> Stainless Steel / Nickel Plated	SEE <b>CONTACT ARRANGEMENTS</b> PAGE E-2	<b>P</b> Pin, PC Tail  <b>E</b> Pin, Solder Cup  <b>S</b> Socket, Solder Cup  <b>D</b> Socket, PC Tail	<b>A</b> Normal  <b>B</b> Pos. B  <b>C</b> Pos. C  <b>D</b> Pos. D

Dimensions in inches (millimeters) and are subject to change without notice.

# Series 802 "Aqua Mouse" Submersible Front Mount Jam Nut Receptacle Connector Dimensions

## Jam Nut Front Mount Hermetic 802-013-00



### DIMENSIONS

Shell Size	A Max.		B Flat		C Mating Threads	D Threads	Ø E Tail Dia.	F Flat		G Hex	
	In.	mm.	In.	mm.				In.	mm.	In.	mm.
5	.720	18.29	.625	15.88	.438-28 UNEF-2A	.312-28 UN-2A	#23 .018/.022 (0.46/0.56)	.281	7.14	.500	12.70
6	.780	19.81	.750	19.05	.562-20 UN-2A	.438-28 UN-2A		.344	8.74	.625	15.88
7	.910	23.11	.812	20.62	.625-20 UN-2A	.500-32 UN-2A		.469	11.91	.688	17.48
8	.960	24.38	.875	22.23	.687-20 UN-2A	.562-28 UN-2A	#20 .024/.028 (0.61/0.71)	.531	13.49	.750	19.05
9	1.030	26.16	.937	23.80	.750-20 UNEF-2A	.625-20 UN-2A		.594	15.09	.812	20.62
10	1.090	27.69	1.000	25.40	.812-20 UNEF-2A	.687-28 UN-2A		.656	16.66	.875	22.23
12	1.160	29.46	1.062	26.97	.875-20 UNEF-2A	.750-28 UN-2A	#16 .060/.064 (1.52/1.63)	.719	18.26	.938	23.83
14	1.340	34.04	1.250	31.75	1.062-20 UN-2A	.938-28 UN-2A		.893	22.68	1.125	28.58
15	1.410	35.18	1.312	33.32	1.125-20 UN-2A	1.000-28 UN-2A		.955	24.26	1.188	30.18
21	1.700	43.18	1.562	39.67	1.4375-20 UN-2A	1.312-28 UN-2A	#12 .092/.096 (2.34/2.44)	1.257	31.93	1.500	38.10

### RECEPTACLE KEY POSITIONS

Key Position	Rotation	
	A°	B°
Normal (A)	150°	210°
B	75°	210°
C	95°	230°
D	140°	275°

### CUTOUT DIMENSIONS

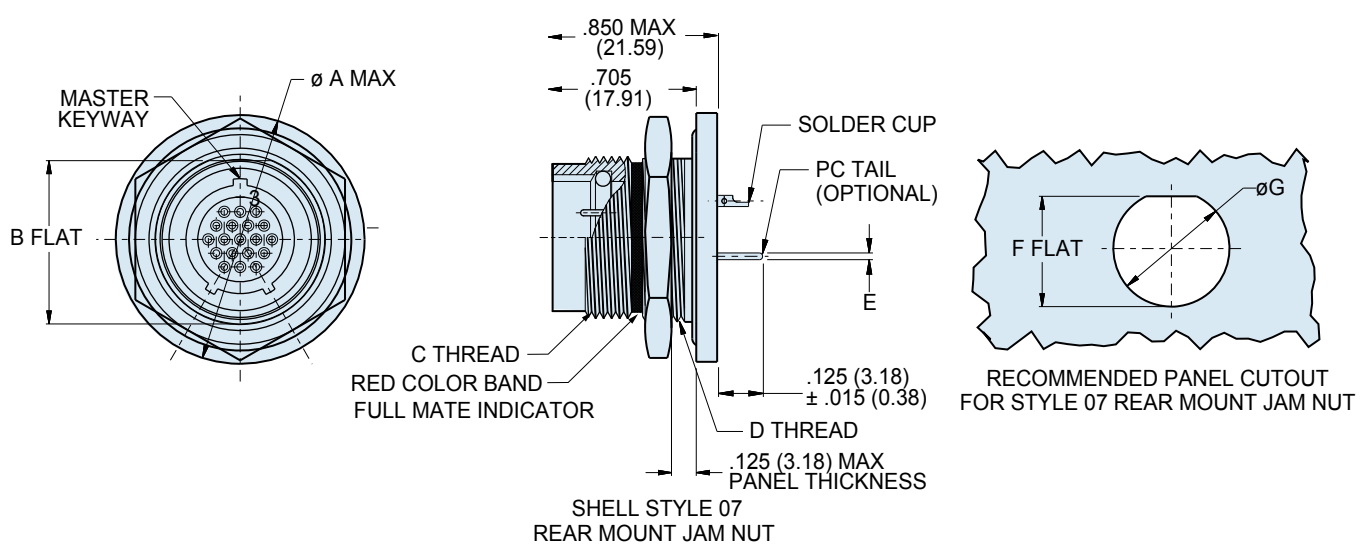
Shell Size	H Flat		Ø J	
	In.	mm.	In.	mm.
5	.291/.286	7.4/7.3	.322	8.2
6	.417/.412	10.6/10.5	.448	11.4
7	.479/.474	12.2/12.0	.510	13.0
8	.541/.536	13.7/13.6	.572	14.5
9	.604/.599	15.3/15.2	.635	16.1
10	.666/.661	16.9/16.8	.697	17.7
12	.729/.724	18.5/18.4	.760	19.3
14	.903/.898	22.9/22.8	.948	24.1
15	.965/.960	24.5/24.4	1.010	25.7
21	1.267/1.263	32.2/32.1	1.322	33.6

Dimensions in inches (millimeters) and are subject to change without notice.





# Series 802 Aqua Mouse Submersible Rear Mount Jam Nut Receptacle Connector Dimensions Jam Nut rear Mount Hermetic 802-013-07



## DIMENSIONS

Shell Size	A Max.		B Flat		C Mating Threads	D Threads	Ø E Tail Dia.	F Flat		Ø G	
	In.	mm.	In. ± .003	mm. ± 0.08				In. ± .002	mm. ± 0.05	In. ± .005	mm. ± 0.13
5	.885	22.48	.466	11.84	.438-28 UNEF	.500-32 UN-2A	#23 .018/.022 (0.46/0.56)	.473	12.01	.510	12.95
6	1.010	25.65	.591	15.01	.562-20 UN	.625-20 UN-2A		.603	15.32	.635	16.13
7	1.072	27.23	.653	16.59	.625-20 UN	.687-28 UN-2A		.662	16.81	.698	17.73
8	1.135	28.83	.716	18.19	.687-20 UN	.750-28 UN-2A	#20 .024/.028 (0.61/0.71)	.714	18.14	.760	19.30
9	1.195	30.35	.778	19.76	.750-20 UNEF	.812-28 UN-2A		.785	19.94	.822	20.88
10	1.260	32.00	.827	21.01	.812-20 UNEF	.875-28 UN-2A		.835	21.21	.885	22.48
12	1.322	33.58	.890	22.61	.875-20 UNEF	.938-28 UN-2A	#16 .060/.064 (1.52/1.63)	.899	22.83	.948	24.08
14	1.510	38.25	1.077	27.36	1.062-20 UN	1.125-28 UN-2A		1.085	27.56	1.135	28.83
15	1.572	39.93	1.140	28.96	1.125-20 UN	1.188-28 UN-2A		1.155	29.34	1.198	30.43
21	1.940	49.28	1.464	37.19	1.4375-20 UN	1.500-28 UN-2A	#12 .092/.096 (2.34/2.44)	1.473	37.41	1.510	39.12

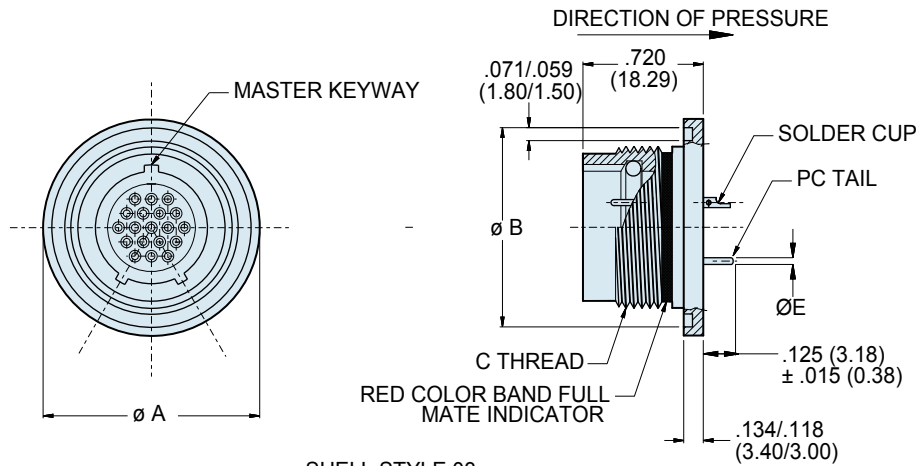
## RECEPTACLE KEY POSITIONS

Key Position	Rotation	
	A°	B°
Normal (A)	150°	210°
B	75°	210°
C	95°	230°
D	140°	275°

Dimensions in inches (millimeters) and are subject to change without notice.

# Series 802 "Aqua Mouse" Submersible Weld Mount Receptacle Connector Dimensions

## Weld Mount Hermetic 802-013-03



SHELL STYLE 03  
WELD MOUNT

DIMENSIONS						
Shell Size	Ø A		Ø B		C Mating Threads	Ø E Tail Dia.
	In. ± .006	mm. ± 0.15	In. ± .006	mm. ± 0.15		
5	.788	20.02	.745	18.92	.438-28 UNEF	#23 .018/.022 (0.46/0.56)
6	.912	23.16	.869	22.07	.562-20 UN	
7	.975	24.77	.933	23.70	.625-20 UN	
8	1.038	26.37	.995	25.27	.687-20 UN	#20 .024/.028 (0.61/0.71)
9	1.100	27.94	1.057	26.85	.750-20 UNEF	
10	1.162	29.53	1.119	28.42	.812-20 UNEF	#16 .060/.064 (1.52/1.63)
12	1.225	31.12	1.182	30.02	.875-20 UNEF	
14	1.412	35.86	1.369	34.77	1.062-20 UN	
15	1.475	37.47	1.432	36.37	1.125-20 UN	#12 .092/.096 (2.34/2.44)
21	1.795	45.59	1.747	44.38	1.4375-20 UN	

RECEPTACLE KEY POSITIONS		
Key Position	Rotation	
	A°	B°
Normal (A)	150°	210°
B	75°	210°
C	95°	230°
D	140°	275°

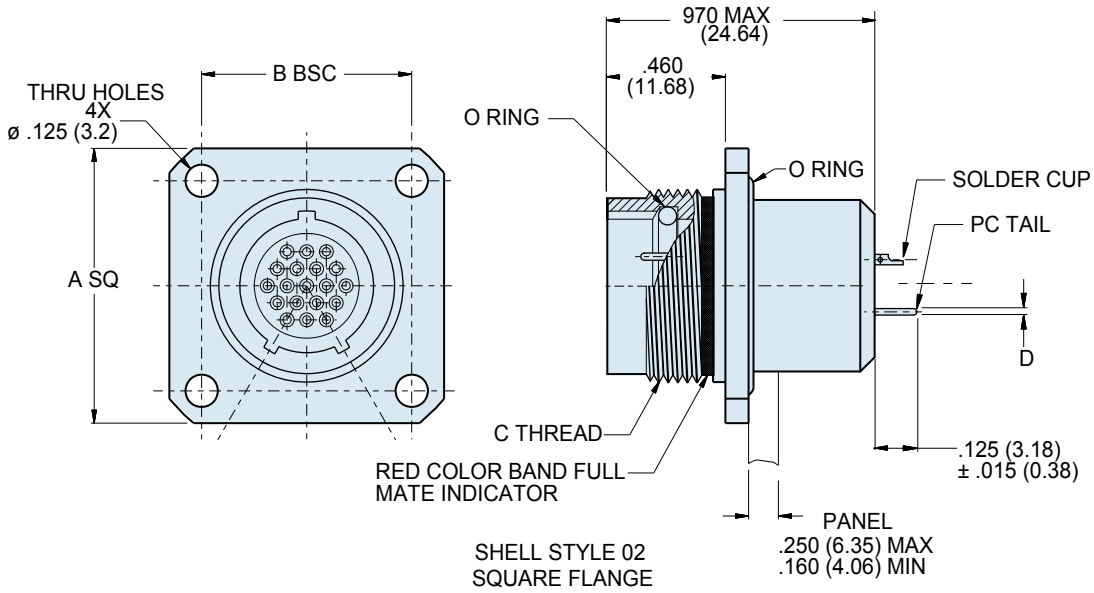
Dimensions in inches (millimeters) and are subject to change without notice.

CAGE Code 06324

Printed in U.S.A.

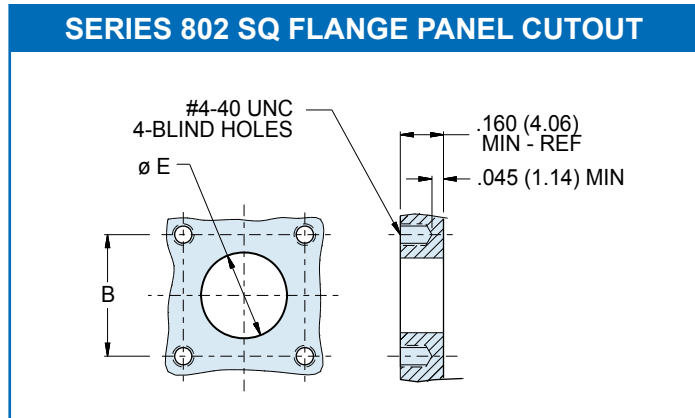


# Series 802 Aqua Mouse Submersible Flange Mount Receptacle Connector Dimensions Flange Mount Hermetic 802-013-02



DIMENSIONS								
Shell Size	A Square		B Bsc.		C Mating Threads	$\varnothing$ D Tail Dia.	$\varnothing$ E	
	In.	mm.	In.	mm.			In.	mm.
5	.885	22.48	.500	12.70	.438-28 UNEF	.018/.022 (0.46/0.56)	.327	8.31
6	1.010	25.65	.625	15.88	.562-20 UN		.390	9.91
7	1.072	27.23	.688	17.48	.625-20 UN		.515	13.08
8	1.135	28.83	.750	19.05	.687-20 UN	.024/.028 (0.61/0.71)	.577	14.66
9	1.195	30.35	.812	20.62	.750-20 UNEF		.640	16.26
10	1.260	32.00	.875	22.23	.812-20 UNEF	.060/.064 (1.52/1.63)	.702	17.83
12	1.323	33.60	.938	23.83	.875-20 UNEF		.765	19.43
14	1.510	38.25	1.125	28.58	1.062-20 UN	.092/.096 (2.34/2.44)	.953	24.21
15	1.573	39.95	1.188	30.18	1.125-20 UN		1.015	25.78
21	1.750	44.45	1.375	34.93	1.4375-20 UN		1.312	33.32

RECEPTACLE KEY POSITIONS		
Key Position	Rotation	
	A°	B°
Normal (A)	150°	210°
B	75°	210°
C	95°	230°
D	140°	275°



Dimensions in inches (millimeters) and are subject to change without notice.

## Series 802 Aqua Mouse Submersible Overmolded Cordset Ordering Information

802-019, 802-022

**Glenair**<sup>®</sup>

Series 802



**Series 802 Overmolded  
Cordset**

**Abrasion-Resistant Polyurethane Jacket** provides cold temperature flexibility and high strength. Low smoke/zero halogen material meets requirements for low toxicity.

**90% Tinned Copper Braid** is terminated directly to connector with stainless steel **BAND-IT**<sup>®</sup> strap.

**Two Cable Types** – Cordsets with polyamide overmolds offer good chemical resistance and are rated for one meter immersion. For maximum chemical resistance and 2500 PSI rating, choose thermoset polyurethane overmolding.

## Series 802 Harsh Environment Shielded Cordsets

These overmolded cordsets withstand abrasion and chemical exposure. Low smoke zero halogen jacket reduces the amount of toxic and corrosive gasses emitted during combustion. Cable construction features silver coated stranded conductors with TFE insulation, tinned copper braid shield and extruded polyurethane jacket. Choose single-ended pigtails or double-ended "back-to-back" versions. Braid shield is attached directly to connector with **BAND-IT**<sup>®</sup> straps. Semi-rigid polyamide overmold provides strain relief and environmental sealing, or choose thermoset polyurethane overmold for superior strength, chemical resistance, and 2500 PSI pressure rating.

Series 802 cordsets are now available with size #20HD, #16 and #12 contacts. Ordering information is found on the following

### HARSH ENVIRONMENT CORDSET SPECIFICATIONS

Cable Jacket Material	Thermoplastic Polyurethane, Black, UL 94 V-0 Rated
Cable Shield	Tin-Coated Copper Braid, 90% Minimum Coverage
Conductors	Silver Coated Stranded Wire, TFE Insulated, Per M22759/11
<b>BAND-IT</b> <sup>®</sup> Shield Termination Band	Stainless Steel
Insulation Resistance	200 megohms minimum
Operating Temperature	-30° C. to +105° C.
Immersion, Polyamide Overmold	1 meter water immersion for 1 Hour per MIL-STD-810 Method 512
Solvent Resistance, Polyamide Overmold	Excellent resistance to most solvents, fuels, and oils; poor resistance to Strong acids and bipolar solvents (alcohol)
Immersion, Polyurethane Overmold	2500 psi
Solvent Resistance, Polyurethane Overmold	Excellent
Shielding Effectiveness	50 dB minimum from 100MHz to 1000MHz.
Cable jacket Flammability and Toxicity	Toxicity Index 3.9 per NES 713 Oxygen Index 28% per ASTM D-2863 Smoke Index 24 per NES 711

Dimensions in inches (millimeters) and are subject to change without notice.

© 2010 Glenair, Inc.

CAGE Code 06324

Printed in U.S.A.

**GLENAIR, INC. • 1211 AIR WAY • GLENDALE, CA 91201-2497 • 818-247-6000 • FAX 818-500-9912**

www.glenair.com

**E-19**

E-Mail: sales@glenair.com

Rev. 01-JANUARY-2010

E



## Series 802 "Aqua Mouse" Submersible Overmolded Cordset Ordering Information

802-019, 802-022, 802-032, 802-033

### SERIES 802 CORDSETS WITH SIZE #23 CONTACTS

Sample Part Number								
802-019	-A	N	2	Z1	9-19	N	A	-48
Series	End A Connector	End B Connector	Wire Size	Shell Material / Finish	Insert Arr.	Protective Cover	Shell Key Pos.	Length
<b>802-019</b> Overmolded Cordset, Size #23 Contacts, Shielded, with <b>Polyamide Overmold</b> , 1 Meter Immersion	<b>-A</b> Plug, with Male Pin Contacts	<b>A</b> Plug, with Male Pin Contacts	<b>2</b> #22 AWG	<b>Z1</b> Stainless Steel Shell / Passivated, with marine bronze coupling nut  <b>ZM</b> Stainless Steel Shell / Electroless Nickel Plated, with marine bronze coupling nut  <b>AB</b> Marine Bronze Shell and Coupling Nut / Unplated	<b>5-3</b>	<b>P</b> Metal Protective Covers Included  <b>N</b> No Covers Supplied	<b>A</b> Pos. A (Normal)	Overall Length In Inches 12 Inch Min.
	<b>-B</b> Plug, with Female Socket Contacts	<b>B</b> Plug, with Female Socket Contacts	<b>4</b> #24 AWG		<b>6-4</b> <b>6-7</b> <b>6-6</b> <b>7-10</b> <b>8-13</b> <b>9-19</b> <b>10-26</b> <b>12-37</b> <b>14-55</b> <b>15-85</b>		<b>B</b> Pos. B	
<b>802-022</b> Overmolded Cordset, Size #23 Contacts, Shielded, with <b>Thermoset Polyurethane Overmold</b> , 2500 PSI Rated	<b>-C</b> Receptacle, with Male Pin Contacts	<b>C</b> Receptacle, with Male Pin Contacts					<b>C</b> Pos. C	
	<b>-D</b> Receptacle, with Female Socket Contacts	<b>D</b> Receptacle, with Female Socket Contacts					<b>D</b> Pos. D	
		<b>N</b> No Connector (Single-Ended)						

### SERIES 802 CORDSETS WITH SIZE #20HDCONTACTS

Sample Part Number								
802-032	-A	N	0	Z1	9-210	N	A	-48
Series	End A Connector	End B Connector	Wire Size	Shell Material / Finish	Insert Arr.	Protective Cover	Shell Key Pos.	Length
<b>802-032</b> Overmolded Cordset, Size #23 Contacts, Shielded, with <b>Polyamide Overmold</b> , 1 Meter Immersion	<b>-A</b> Plug, with Male Pin Contacts	<b>A</b> Plug, with Male Pin Contacts	<b>0</b> #20 AWG	<b>Z1</b> Stainless Steel Shell / Passivated, with marine bronze coupling nut  <b>ZM</b> Stainless Steel Shell / Electroless Nickel Plated, with marine bronze coupling nut  <b>AB</b> Marine Bronze Shell and Coupling Nut / Unplated	<b>6-23</b>	<b>P</b> Metal Protective Covers Included  <b>N</b> No Covers Supplied	<b>A</b> Pos. A (Normal)	Overall Length In Inches 12 Inch Min.
	<b>-B</b> Plug, with Female Socket Contacts	<b>B</b> Plug, with Female Socket Contacts	<b>2</b> #22 AWG		<b>7-25</b> <b>8-28</b> <b>9-210</b> <b>12-220</b> <b>14-235</b> <b>15-241</b>		<b>B</b> Pos. B	
<b>802-033</b> Overmolded Cordset, Size #23 Contacts, Shielded, with <b>Thermoset Polyurethane Overmold</b> , 2500 PSI Rated	<b>-C</b> Receptacle, with Male Pin Contacts	<b>C</b> Receptacle, with Male Pin Contacts					<b>C</b> Pos. C	
	<b>-D</b> Receptacle, with Female Socket Contacts	<b>D</b> Receptacle, with Female Socket Contacts					<b>D</b> Pos. D	
		<b>N</b> No Connector (Single-Ended)						

Dimensions in inches (millimeters) and are subject to change without notice.

# Series 802 Aqua Mouse Submersible Overmolded Cordset Ordering Information

802-026, 802-027, 802-028, 802-029



## SERIES 802 CORDSETS WITH SIZE #16 CONTACTS

Sample Part Number

802-028	-A	N	6	Z1	9-4	N	A	-48
Series	End A Connector	End B Connector	Wire Size	Shell Material / Finish	Insert Arr.	Protective Cover	Shell Key Pos.	Length
<b>802-026</b> Overmolded Cordset, Size #16 Contacts, Shielded, with <b>Polyamide Overmold</b> , 1 Meter Immersion	-A Plug, with Male Pin Contacts	<b>A</b> Plug, with Male Pin Contacts	<b>6</b> #16 AWG	<b>Z1</b> Stainless Steel Shell / Passivated, with marine bronze coupling nut	<b>6-1</b> <b>8-2</b> <b>9-4</b> <b>10-5</b> <b>12-7</b> <b>14-12</b> <b>15-14</b>	<b>P</b> Metal Protective Covers Included	<b>A</b> Pos. A (Normal)	Overall Length In Inches 12 Inch Min.
	-B Plug, with Female Socket Contacts	<b>B</b> Plug, with Female Socket Contacts	<b>8</b> #18 AWG	<b>ZM</b> Stainless Steel Shell / Electroless Nickel Plated, with marine bronze coupling nut	<b>N</b> No Covers Supplied	<b>B</b> Pos. B		
<b>802-028</b> Overmolded Cordset, Size #16 Contacts, Shielded, with <b>Thermoset Polyurethane Overmold</b> , 2500 PSI Rated	-C Receptacle, with Male Pin Contacts	<b>C</b> Receptacle, with Male Pin Contacts		<b>AB</b> Marine Bronze Shell and Coupling Nut / Unplated			<b>C</b> Pos. C	
	-D Receptacle, with Female Socket Contacts	<b>D</b> Receptacle, with Female Socket Contacts	<b>N</b> No Connector (Single-Ended)				<b>D</b> Pos. D	

## SERIES 802 CORDSETS WITH SIZE #12 CONTACTS

Sample Part Number

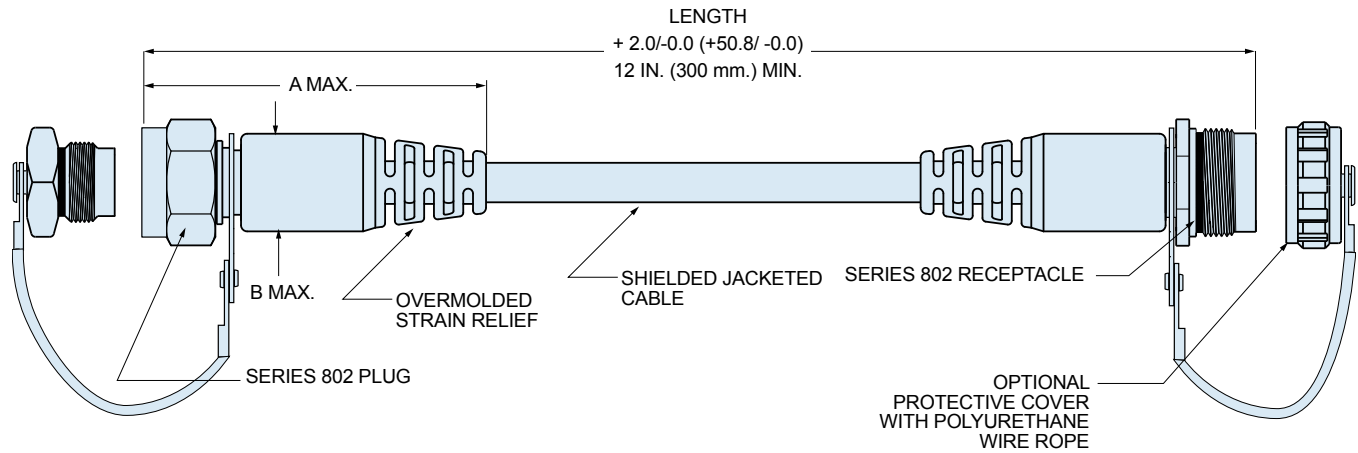
802-027	-A	C	2	Z1	10-2	N	A	-48
Series	End A Connector	End B Connector	Wire Size	Shell Material / Finish	Insert Arr.	Protective Cover	Shell Key Pos.	Length
<b>802-027</b> Overmolded Cordset, Size #12 Contacts, Shielded, with <b>Polyamide Overmold</b> , 1 Meter Immersion	-A Plug, with Male Pin Contacts	<b>A</b> Plug, with Male Pin Contacts	<b>2</b> #12 AWG	<b>Z1</b> Stainless Steel Shell / Passivated, with marine bronze coupling nut	<b>7-1</b> <b>10-2</b> <b>12-2</b> <b>12-3</b> <b>14-5</b> <b>15-7</b>	<b>P</b> Metal Protective Covers Included	<b>A</b> Pos. A (Normal)	Overall Length In Inches 12 Inch Min.
	-B Plug, with Female Socket Contacts	<b>B</b> Plug, with Female Socket Contacts	<b>4</b> #14 AWG	<b>ZM</b> Stainless Steel Shell / Electroless Nickel Plated, with marine bronze coupling nut	<b>N</b> No Covers Supplied	<b>B</b> Pos. B		
<b>802-029</b> Overmolded Cordset, Size #12 Contacts, Shielded, with <b>Thermoset Polyurethane Overmold</b> , 2500 PSI Rated	-C Receptacle, with Male Pin Contacts	<b>C</b> Receptacle, with Male Pin Contacts		<b>AB</b> Marine Bronze Shell and Coupling Nut / Unplated			<b>C</b> Pos. C	
	-D Receptacle, with Female Socket Contacts	<b>D</b> Receptacle, with Female Socket Contacts	<b>N</b> No Connector (Single-Ended)				<b>D</b> Pos. D	

Dimensions in inches (millimeters) and are subject to change without notice.

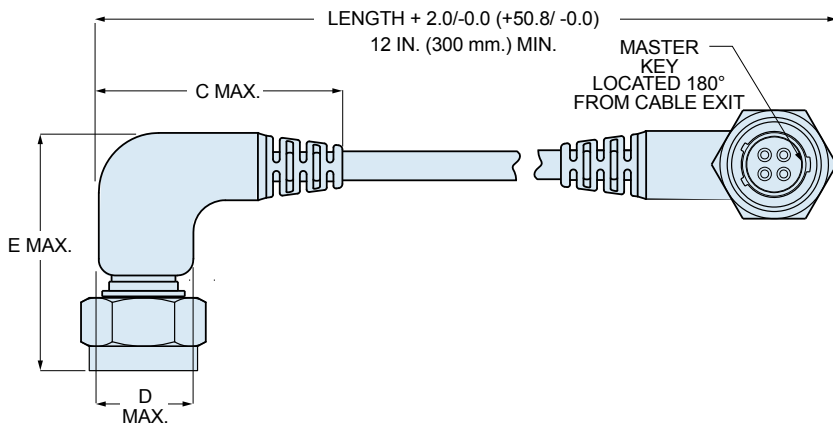




# Series 802 Aqua Mouse Submersible Overmolded Cordset Dimensions



## RIGHT ANGLE CORDSETS



**How To Order Right Angle Cordsets**  
 Insert the letter "R" after the End A or End B Connector letter designator.

**Example**  
 Straight cable 802-019-AC4Z16-4PA-72  
 Right Angle 802-019-ARCR4Z16-4PA-72

## DIMENSIONS

Shell Size	A Max.		B Max.		C Max.		D Max.		E Max.	
	In.	mm.	In.	mm.	In.	mm.	In.	mm.	In.	mm.
5	2.38	60.33	0.6	15.24	1.5	38.1	0.6	15.24	2.1	52.71
6	2.38	60.33	0.6	15.24	1.5	38.1	0.6	15.24	2.1	52.71
7	2.38	60.33	0.7	17.78	1.5	38.1	0.7	17.78	2.28	57.79
8	2.48	62.87	0.75	19.05	1.6	40.64	0.75	19.05	2.38	60.33
9	2.78	70.49	0.85	21.59	1.9	48.26	0.85	21.59	2.58	65.41
10	2.78	70.49	0.85	21.59	1.9	48.26	0.85	21.59	2.58	65.41
12	3.1	78.11	1.1	27.94	2.2	55.88	1.1	27.94	3.1	78.11
14	3.4	85.73	1.3	33.02	2.5	63.5	1.3	33.02	3.48	88.27
15	3.9	98.43	1.4	35.56	3	76.2	1.4	35.56	3.7	93.35

Dimensions in inches (millimeters) and are subject to change without notice.

# Series 802 Aqua Mouse Submersible Protective Cover Ordering Information

660-087 and 660-088



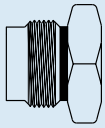
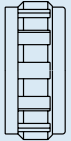

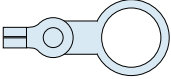
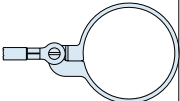
**Receptacle Cover**

**Protect Connectors From Damage** – These covers prevent ingress of water and contamination. Stainless steel plug covers feature Viton® O-rings for 3500 PSI sealing. Receptacle covers have a Viton® gasket and are made from marine bronze to minimize galling.

**Three Types of Attachment Rings** – Choose small diameter eye fittings for panel attachment. Larger rings fit under the jam nut or over cable jackets. Split rings can be installed on fully assembled cables.

**Polyurethane-Coated SST Wire Rope** offers high strength, excellent abrasion resistance and good flexibility. Or, choose Teflon® jacket for high temperature exposure.

**Braided Nylon Rope** provides excellent flexibility and good abrasion resistance, and can be ordered with slip knot fittings for easy installation on any size cable.

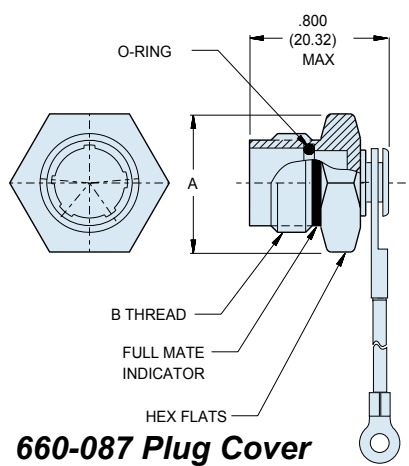
HOW TO ORDER SERIES 802 PROTECTIVE COVERS					
Sample Part Number					
660-087	- 9	U	04	- 6	
Series	Shell Size	Attachment Type	Attachment Code	Attachment Length in Inches	Alternate Key Position
 <p><b>660-087</b> Protective Cover for use with Series 802 Plugs</p>  <p><b>660-088</b> Protective Cover for use with Series 802 Receptacles</p>	-5	<b>G</b> Nylon Rope	Omit for attachment Types <b>N</b> (No Attachment) and <b>SK</b> (Slip Knot)	Omit for attachment Type <b>N</b> (No Attachment)  <b>Example</b> "-6" equals six inch length	Omit for 660-088 receptacle covers  Omit for plug connectors with standard "A" key position  <b>B</b> <b>C</b> <b>D</b>
	-6	<b>H</b>			
	-7	<b>SST Wire Rope, Teflon® Jacket</b>	 Small Ring	<b>01</b> – .126 (3.20) I.D. <b>02</b> – .145 (3.68) I.D. <b>04</b> – .188 (4.78) I.D. <b>06</b> – .197 (5.00) I.D.	
	-8	<b>N</b> No Attachment			
	-9	<b>S</b>	 Large Ring	<b>14</b> – .385 (9.78) I.D. <b>15</b> – .445 (11.30) I.D. <b>16</b> – .570 (14.48) I.D. <b>17</b> – .635 (16.13) I.D. <b>18</b> – .695 (17.65) I.D. <b>19</b> – .885 (22.48) I.D. <b>20</b> – 1.070 (27.17) I.D. <b>21</b> – 1.135 (28.83) I.D. <b>22</b> – 1.210 (30.73) I.D. <b>23</b> – 1.275 (32.39) I.D. <b>24</b> – 1.520 (38.61) I.D.	
	-10	<b>SST Sash Chain</b>			
	-12	<b>SK</b> Nylon Rope With Slip Knot			
	-14	<b>T</b> SST Wire Rope, No Jacket			
	-15	<b>U</b> SST Wire Rope, Polyurethane Jacket			
	-21	"SST" = Stainless Steel		 Split Ring	

Dimensions in inches (millimeters) and are subject to change without notice.

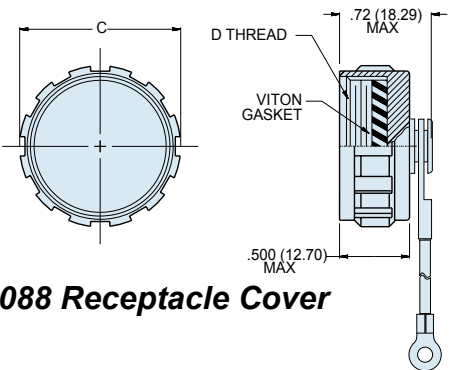


# Series 802 Aqua Mouse Submersible Protective Cover Dimensions

660-087 and 660-088



**660-087 Plug Cover**



**660-088 Receptacle Cover**

### 660-087 & -088 DIMENSIONS

Shell Size	A Hex		B	C Max.		D
	In.	mm.		In.	mm.	
5	.500	12.70	.438-28 UNEF-2A	.590	14.99	.438-28 UNEF-2B
6	.625	15.88	.562-20 UN-2A	.720	18.29	.562-20 UN-2B
7	.688	17.48	.625-20 UN-2A	.780	19.81	.625-20 UN-2B
8	.750	19.05	.687-20 UN-2A	.840	21.34	.687-20 UN-2B
9	.812	20.62	.750-20 UNEF-2A	.900	22.86	.750-20 UNEF-2B
10	.875	22.23	.812-20 UNEF-2A	.970	24.89	.812-20 UNEF-2B
12	.938	23.83	.875-20 UNEF-2A	1.030	26.16	.875-20 UNEF-2B
14	1.125	28.58	1.062-20 UN-2A	1.220	30.99	1.062-20 UN-2B
15	1.188	30.18	1.125-20 UN-2A	1.280	32.51	1.125-20 UN-2B
21	1.562	39.67	1.438-20 UN-2A	1.610	40.89	1.438-20 UN-2B

### MATERIALS AND FINISHES

Plug Cover	316 stainless steel, passivated
Receptacle Cover	marine bronze, unplated
O-Ring	Viton rubber
Gasket	Viton rubber
Wire, Hardware	Stainless steel, passivated

### ATTACHMENT OPTIONS

Small Ring for Attaching Receptacle Covers to a Panel with a Screw	Dia. Code	Screw Size	Ring I.D.		Ring O.D.	
			In.	mm.	In.	mm.
			±.005	±0.13	Max.	Max.
01	#4, M3	.126	3.20	.31	7.9	
02	#6	.145	3.68	.31	7.9	
04	#8, M4	.188	4.78	.31	7.9	
06	#10	.197	5.00	.31	7.9	

Large Solid Ring for Attaching Receptacle Covers to a Jam Nut Receptacle	Dia. Code	Style 07 Jam Nut Shell Size	Style 00 Jam Nut Shell Size	Ring I.D.		Ring O.D.	
				In.	mm.	In.	mm.
				±.005	±0.13	Max.	Max.
14		5,6	.385	9.78	.510	12.95	
16	5	7,8	.570	14.48	.685	17.40	
17	6	9	.635	16.13	.760	19.30	
18	7	10	.695	17.65	.820	20.82	
19	8,9,10	12	.885	22.48	1.010	25.65	
20	12	14,15	1.070	27.17	1.195	30.35	
21	14		1.135	28.83	1.270	32.26	
22	15		1.210	30.73	1.312	33.32	
24	21	21	1.520	38.61	1.522	41.20	

Large Split Ring for Attaching Covers to Cables	Dia. Code	Max. Cable Dia.	Min. ID		Max. OD	
			In.	mm.	In.	mm.
50		.410	.420	10.67	.510	12.95
52		.470	.480	12.19	.570	14.48
54		.625	.635	16.13	.726	18.44
56		.735	.745	18.92	.835	21.21
58		.875	.885	22.48	.976	24.79
60		1.000	1.010	25.65	1.101	27.97
64		1.115	1.125	28.58	1.215	30.86
68		1.335	1.345	34.16	1.435	36.45
72		1.416	1.426	36.22	1.526	38.76

**Slip Knot (SK) for Attaching Covers to Cable**

-55° to +100°C., black, very flexible, very good abrasion resistance, good resistance to fuels, .120" (3mm) diameter. Length includes .5" (13mm) diameter loop.

### LANYARD OPTIONS

	<b>Nylon Rope</b>	-55° to +100°C., black, very flexible, very good abrasion resistance, good resistance to fuels, .120" (3mm) diameter
	<b>Polyurethane Coated Wire Rope</b>	Black polyurethane over stainless steel rope, -55° to +125°C., very flexible, excellent abrasion resistance, excellent resistance to fuels, .080" (2mm) diameter
	<b>Teflon Jacketed Wire Rope</b>	Translucent FEP jacket over stainless steel rope, -55° to +200°C., fair flexibility, good abrasion resistance, .100" diameter
	<b>Sash Chain</b>	Stainless steel, #8 chain, .240" (6mm)

Dimensions in inches (millimeters) and are subject to change without notice.

Series 803 Mighty Mouse  
¼ Turn Bayonet Coupling Connectors  
Product Selection Guide



SERIES 803 BAYONET PRODUCT SELECTION GUIDE

**Plugs**

Page F-4

803-001, 803-002



**Series 803 Bayonet Plugs**

Available in aluminum or stainless steel. The integral shield termination platform accepts heat-shrink boots, or select accessory threads for use with a variety of strain relief and backshell accessory options.

**Crimp Receptacles**

Page F-6

803-003, 803-004



**Series 803 Receptacles for Insulated Wire**

Jam nut, square flange and in-line versions make it easy to find a style for every application. The integral shield termination platform accepts heat-shrink boots (ordered separately), or select accessory threads for use with a variety of strain relief and backshell accessory options. Contacts are crimp-type and are packaged with the connector.

**Solder Cup/PCB Receptacles**

Page F-11

803-005, 803-015



**Series 803 Receptacles With Solder Cup or PCB Termination**

These panel mount connectors feature gold plated, factory-installed non-removeable contacts. Choose printed circuit terminals, or choose solder cup contacts. Connectors are potted with epoxy for general purpose applications, or choose silicone-sealed, leak-tested versions for 1 meter water immersion in unmated condition.

**Hermetic Receptacles**

Page F-13

803-006



**Series 803 Hermetic Receptacles**

Need a miniaturized hermetic for a sealed box or instrument? These stainless steel, glass-sealed connectors are available with solder cup or PC tail contacts. Choose jam nut or flange mount versions. Contacts are gold plated iron alloy. 100% tested to meet  $1 \times 10^{-6}$  cc/sec helium leakage. Open face pressure rating 1000 PSI.

**Cordsets**

Page F-15

803-009, 803-013,  
803-014, 803-016



**Series 803 Shielded Overmolded Cordsets**

Overmolded cordsets offer optimum convenience and performance. Low-smoke, zero halogen polyurethane jackets withstand abrasion and harsh environments.

**Protective Covers**

Page F-19

800-034, 800-041,  
800-038, 800-039



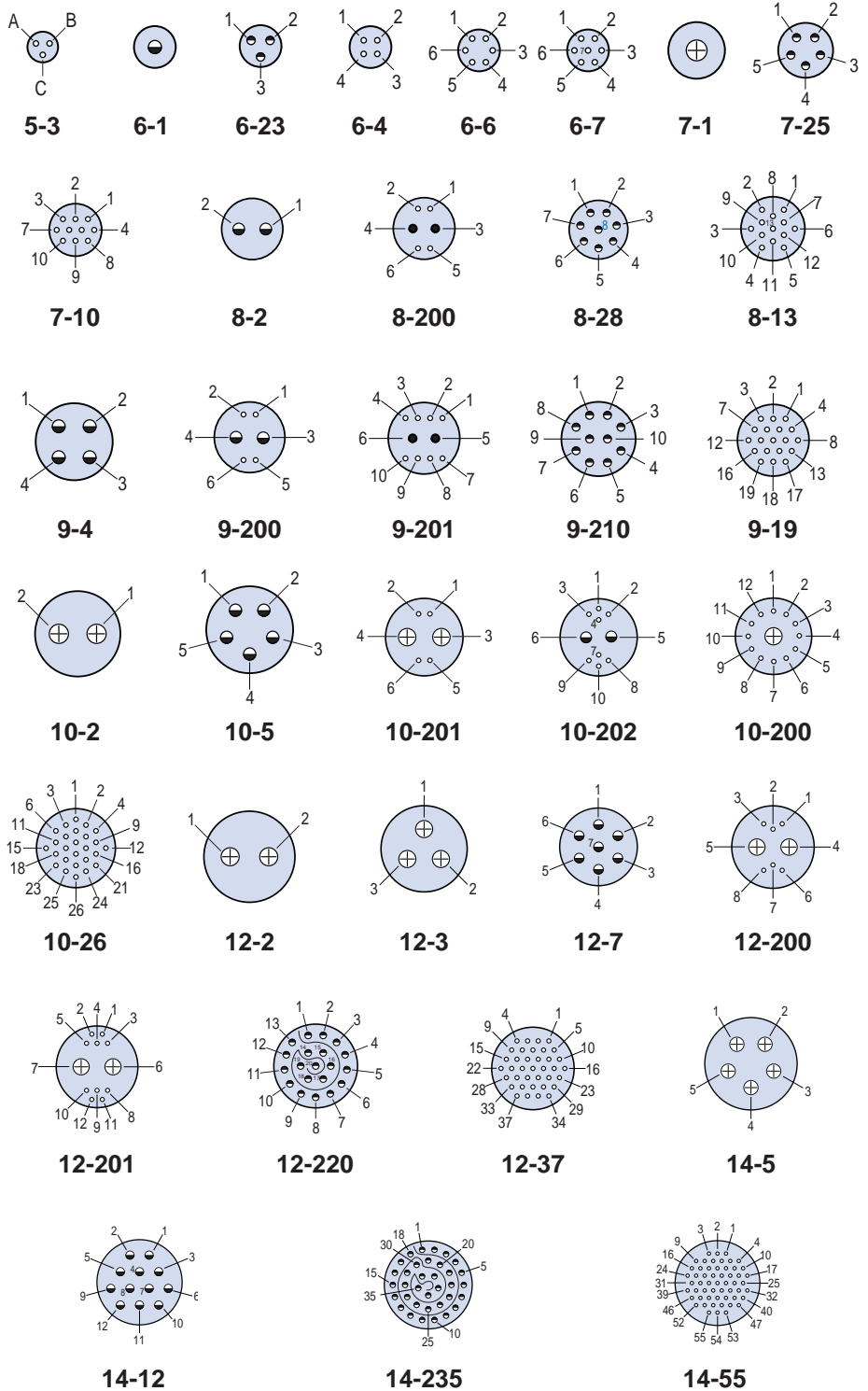
**Series 803 Protective Covers**

Available in aluminum or stainless steel, these covers prevent damage to exposed connectors. Rubber gasket keeps out dust and moisture. Wide selection of lanyard types and attachment rings.

Dimensions in inches (millimeters) and are subject to change without notice.

### Mating Face View of Pin Connector (socket connector numbers are reversed)

CONTACT ARRANGEMENTS					
Contact Arr.	No. of Contacts				
	#23	#20	#20HD	#16	#12
5-3	3				
6-1				1	
6-23			3		
6-4	4				
6-6	6				
6-7	7				
7-1					1
7-25			5		
7-10	10				
8-2				2	
8-28			8		
8-13	13				
8-200	4	2			
9-4				4	
9-210			10		
9-19	19				
9-200	4			2	
9-201	8	2			
10-2					2
10-5				5	
10-26	26				
10-200	12				1
10-201	4				2
10-202	8			2	
12-2					2
12-3					3
12-7				7	
12-220			20		
12-37	37				
12-200	6				2
12-201	10				2
14-5					5
14-12				12	
14-235			35		
14-55	55				



Contact Legend  
 #23 ◦ #20HD ◐ #20 ● #16 ◑ #12 ⊕

Dimensions in inches (millimeters) and are subject to change without notice.

CAGE Code 06324

Printed in U.S.A.

GLENAIR, INC. • 1211 AIR WAY • GLENDALE, CA 91201-2497 • 818-247-6000 • FAX 818-500-9912

www.glenair.com

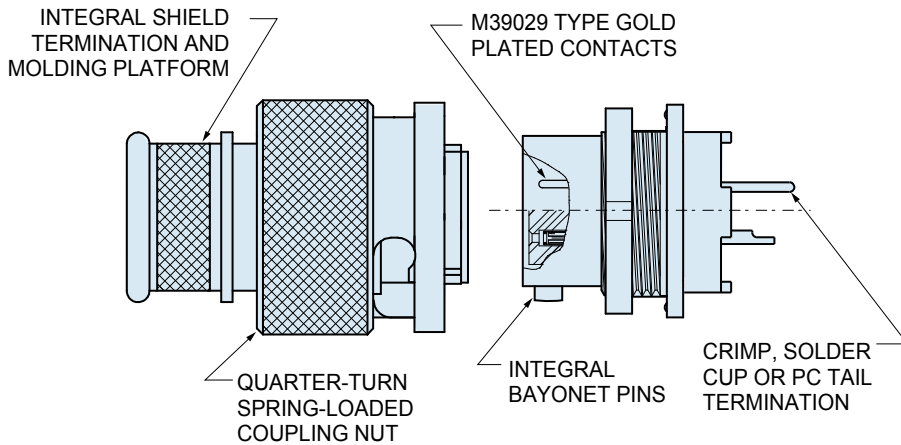
F-2

E-Mail: sales@glenair.com

01-JANUARY-2010



# Series 803 Mighty Mouse ¼ Turn Bayonet Coupling Connectors General Information



**Bayonet Coupling Mechanism**  
Push-To-Mate, ¼ turn for locking.

**1 through 55 contacts**  
available in crimp, solder cup or printed circuit board versions. Aluminum or stainless steel shell.

**Now with Power Contacts.**  
Choose any one of 35 contact arrangements with size #23, size #20HD, size #16 or size #12 contacts.

## Glenair's Bayonet Mighty Mouse Offers ¼ Turn Locking, Rugged Design and Ultraminiature Size

Ideal for tactical handheld radios, sensors, test equipment and autosport equipment, the Series 803 connector adds quick bayonet coupling to the Glenair Series 80 product line. Key features are small size, light weight, environmental protection, and crimp-and-poke contacts. These features make the Series 803 Bayonet connector suitable for a wide range of quick-disconnect applications. Fluorosilicone seals resist most chemicals and provide splash protection. **Not rated for water immersion.**



SPECIFICATIONS	
Current Rating	#23 5 AMPS, #20 7.5 A., #16 13 A., #12 23 A.
Dielectric Withstanding Voltage	#23 500 VAC RMS, #20HD 750 VAC RMS, #12 and #16 1800 VAC RMS
Insulation Resistance	5000 megohms minimum
Operating Temperature	-65° C. to +150° C.
Shock	300 g.
Vibration	37 g.
Shielding Effectiveness	40 dB minimum from 100MHz to 1000MHz.
Durability	250 mating cycles (aluminum), 2000 mating cycles (stainless steel)
See Series 80 General Information for complete performance specs.	
MATERIALS AND FINISHES	
Shells, Jam Nuts	Aluminum alloy or stainless steel
Contacts	Copper alloy, 50 µinch gold plated
Insulators	Liquid crystal polymer (LCP)
Contact Retention Clip	Beryllium copper alloy
Interfacial Seal, O-rings, Wire Sealing Grommet	Fluorosilicone rubber
See Series 80 General Information for complete material and finish specs.	

Dimensions in inches (millimeters) and are subject to change without notice.



## Series 803 Mighty Mouse ¼ Turn Bayonet Coupling Connectors Weights

### SERIES 803 MAXIMUM CONNECTOR WEIGHT IN GRAMS

Contact Arr.	Cable Plug	J/N Recep Crimp	J/N Recep PCB	Flange Recep Crimp	Flange Recep PCB
5-3P	3.6	3.6	3.9	2.9	3.3
5-3S	3.7	3.7	4.0	3.1	3.4
6-1P	4.4	4.4	4.6	3.1	3.5
6-1S	4.5	4.5	4.7	3.2	3.6
6-4P	4.7	3.7	4.1	3.1	3.6
6-4S	4.7	4.0	4.2	3.2	3.7
6-7P	5.1	4.8	5.3	3.3	4.4
6-7S	5.1	5.1	5.5	3.6	4.4
7-1P	5.7	5.9	5.8	4.4	4.7
7-1S	5.9	6.2	5.9	4.7	5.1
7-10P	6.9	7.4	8.1	5.0	6.5
7-10S	7.4	7.8	8.4	5.4	6.6
8-2P	8.6	8.9	9.9	6.6	8.6
8-2S	9.4	9.7	10.7	7.4	9.4
8-13P	7.9	8.3	9.2	5.9	7.9
8-13S	8.7	8.9	9.7	6.6	8.1
8-200P	8.9	9.2	10.2	6.9	8.9
8-200S	9.6	9.9	10.9	6.9	9.6
9-4P	9.2	9.6	10.6	6.6	9.2
9-4S	9.6	9.9	10.9	6.9	9.6
9-19P	9.2	9.1	10.6	7.0	9.9
9-19S	10.2	10.1	11.2	8.1	10.2
9-200P	9.1	9.5	10.5	7.2	9.1
9-200S	10.2	10.6	11.6	8.3	10.2
9-201P	9.2	9.6	10.6	7.3	10.3
9-201S	9.8	10.1	11.7	8.4	10.3
10-5P	13.4	14.1	15.0	10.6	13.9
10-5S	14.9	15.5	17.5	12.0	15.3
10-26P	11.7	12.3	14.3	8.8	12.8
10-26S	13.4	13.6	15.1	10.1	13.1
10-200	12.5	13.2	15.2	9.7	13.0
10-200	14.0	14.6	16.6	11.1	14.4
10-201P	12.9	13.5	15.5	10.0	13.3
10-201S	14.4	15.1	17.1	11.6	14.9
10-202P	12.4	13.1	15.1	9.6	11.8
10-202S	14.0	14.6	16.6	11.1	14.4
12-2P	15.5	16.4	19.1	11.4	16.9
12-2S	17.2	18.0	20.8	13.1	18.6
12-3P	16.5	17.4	20.1	12.4	17.9
12-3S	18.3	19.1	21.9	14.2	19.7
12-7P	16.7	17.6	20.4	12.7	18.2
12-7S	19.4	20.2	23.0	15.3	20.8
12-37P	15.0	15.8	18.6	10.9	16.4
12-37S	16.6	17.5	19.6	12.4	16.7
12-200P	15.6	16.5	19.3	11.6	17.1
12-200S	17.9	18.8	21.6	13.9	19.4
12-201P	15.7	16.6	19.4	11.7	17.2
12-201S	18.2	19.0	21.8	14.1	19.6
14-5P	22.2	23.5	27.7	17.3	25.5
14-5S	24.8	26.1	29.3	19.8	25.1
14-55P	19.6	20.9	25.1	14.6	22.9
14-55S	22.6	23.9	27.1	17.6	23.9

Dimensions in inches (millimeters) and are subject to change without notice.

# Series 803 Mighty Mouse ¼ Turn Bayonet Coupling Plug Connector Ordering Information

803-001 and 803-002



**Series 803 Plugs**

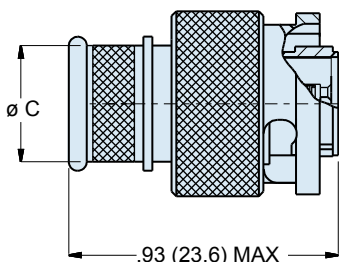
Series 803 connectors have compact size and rugged design and are suitable for light-to-medium duty applications where water immersion is not a consideration. Splashproof design withstands exposure to rain and condensation. Bayonet coupling mechanism uses a rotating coupling nut on the plug and three integral bayonet pins on the receptacle. Push to mate, then rotate the coupling nut 90° to lock. Connector shells are machined aluminum or stainless steel. Supplied with crimp contacts, packaged separately. Terminate contacts with standard M22520 tools. Metal clips inside the connector body lock contact into place. Contacts are removable. Fluorosilicone seals and rear grommet protect connector from water ingress. Terminate cable shield directly to connector body with BAND-IT® strap, or choose rear accessory thread to attach optional cable clamp or backshell. Available in shell sizes 5 through 14 in 35 contact arrangements.

HOW TO ORDER					
Sample Part Number					
803-001	-06	NF	9-19	P	N
Series	Shell Style	Shell Material / Finish	Shell Size- Insert Arrangement	Contact Type	Shell Key Position
<p><b>803-001</b> Crimp Contact, Banding Platform for Direct Attachment of Cable Shield and Overmold</p>	-06 Plug	<p><b>C</b> Aluminum / Black Anodize (Non-Conductive) RoHS Compliant</p>	SEE CONTACT ARRANGEMENTS PAGE F-2	<p><b>Connector supplied with contacts</b></p>	<p><b>N</b> Normal</p> <p>Alternate Key Positions:</p> <p><b>X</b> <b>Y</b> <b>Z</b></p>
		<p><b>M</b> Aluminum / Electroless Nickel RoHS Compliant</p>		<p><b>P</b> Pin</p>	
<p><b>803-002</b> Crimp Contact, Rear Accessory Thread</p>		<p><b>NF</b> Aluminum / Cadmium with Olive Drab Chromate</p>		<p><b>S</b> Socket</p>	
		<p><b>ZN</b> Aluminum / Zinc-Nickel with Olive Drab Chromate</p>		<p><b>Connector supplied without contacts</b></p>	
		<p><b>ZNU</b> Aluminum / Zinc-Nickel with Black Chromate</p>		<p><b>A</b> Pin Connector, less contacts</p>	
		<p><b>MT</b> Aluminum / Nickel-PTFE RoHS Compliant</p>		<p><b>B</b> Socket Connector, less contacts</p>	
		<p><b>Z1</b> Stainless Steel / Passivated RoHS Compliant</p>		<p>Connectors with contacts are supplied with signal and/or power crimp contacts. These contacts are not installed.</p> <p>Coaxial contacts and non-standard signal contacts are ordered separately.</p>	

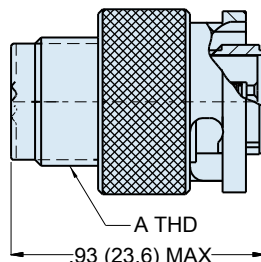
Dimensions in inches (millimeters) and are subject to change without notice.

# Series 803 Mighty Mouse ¼ Turn Bayonet Coupling Plug Connector Dimensions

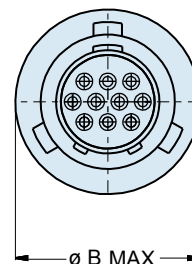
803-001-06 and 803-002-06



**Integral Band Platform**  
803-001



**Accessory Thread**  
803-002



DIMENSIONS					
Shell Size	A Thread UNEF-2A	Ø B Max		Ø C	
		In.	mm.	In.	mm.
5	.2500-32	.500	12.70	.245	6.22
6	.3125-32	.565	14.35	.290	7.37
7	.4375-28	.650	16.51	.390	9.91
8	.5000-28	.750	19.05	.440	11.18
9	.5625-24	.790	20.07	.500	12.70
10	.6250-24	.875	22.23	.562	14.27
12	.6875-24	.944	23.98	.650	16.51
14	.9375-20	1.095	27.81	.805	20.45

SERIES 803 PLUG KEY POSITIONS			
Pos.	A°	B°	
N	150°	210°	
X	75°	210°	
Y	95°	230°	
Z	140°	275°	

Dimensions in inches (millimeters) and are subject to change without notice.

# Series 803 Mighty Mouse ¼ Turn Bayonet Coupling Connector Ordering Information

## 803-003 and 803-004 Crimp Receptacles



**In-Line**



**Jam Nut**



**Flange Mount**

**Push-To-Mate, ¼ Turn to Lock.**  
These quick-mating connectors feature bayonet pins on the receptacle. Simply push the connectors together, then rotate the plug coupling nut 90° to lock the connectors together.

**Three Shell Mounting Options:**  
Jam nut with O-ring for rear panel mounting, elliptical flange for front or rear panel mounting, or in-line receptacles for free-hanging cables.

**Two Shell Styles:** Choose the integral band platform for direct attachment of a cable shield. Install a heat-shrink boot, or overmold directly onto the band platform. An accessory thread is available for attaching strain reliefs and backshells.

### HOW TO ORDER

Sample Part Number

**803-003**

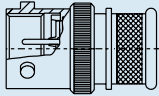
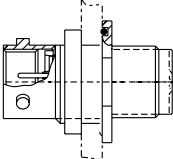
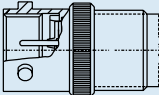
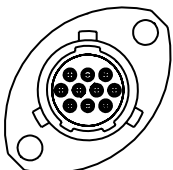
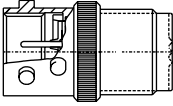
**-07**

**NF**

**6-7**

**S**

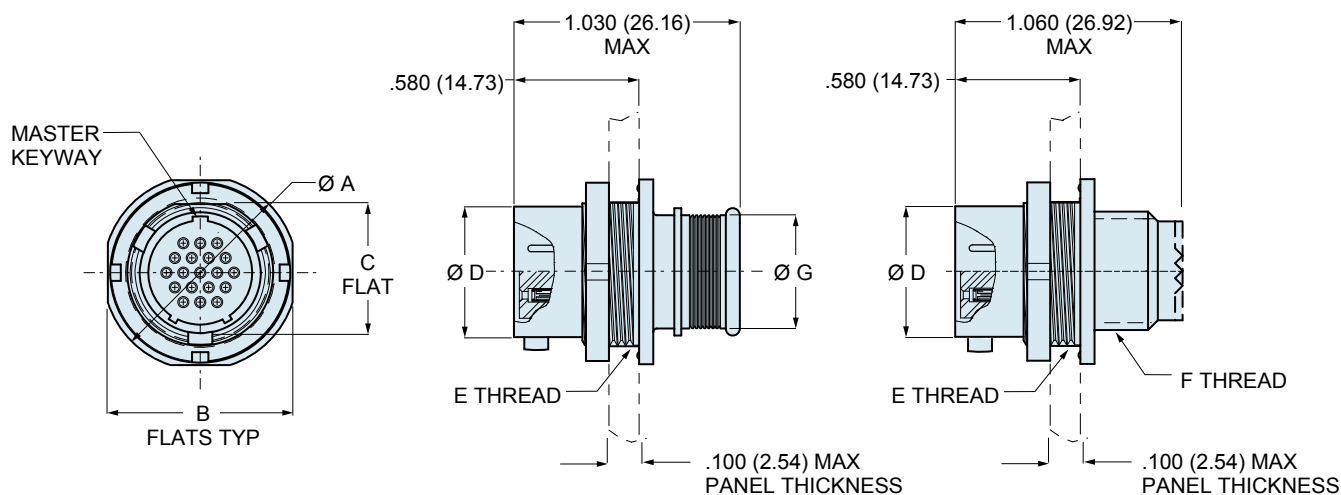
**N**

Series	Shell Style	Shell Material / Finish	Shell Size- Insert Arrangement	Contact Type	Shell Key Position
<b>803-003</b> Receptacle with Banding Platform for Direct Attachment of Cable Shield and Overmold  	 <b>-07</b> Jam Nut	<b>C</b> Aluminum / Black Anodize (Non-Conductive) RoHS Compliant	SEE <b>CONTACT ARRANGEMENTS</b> PAGE F-2	<b>Connector supplied with contacts</b> <b>P</b> Pin <b>S</b> Socket	<b>N</b> Normal Alternate Key Positions: <b>X</b> <b>Y</b> <b>Z</b>
		<b>M</b> Aluminum / Electroless Nickel RoHS Compliant		<b>Connector supplied without contacts</b> <b>A</b> Pin Connector, less contacts <b>B</b> Socket Connector, less contacts	
		<b>NF</b> Aluminum / Cadmium with Olive Drab Chromate		Connectors with contacts are supplied with signal and/or power crimp contacts. These contacts are not installed.  Coaxial contacts and non-standard signal contacts are ordered separately.	
<b>803-004</b> Receptacle with Rear Accessory Thread  	 <b>-02</b> Flange Mount   <b>-01</b> In-Line	<b>ZN</b> Aluminum / Zinc-Nickel with Olive Drab Chromate			
		<b>ZNU</b> Aluminum / Zinc-Nickel with Black Chromate			
		<b>MT</b> Aluminum / Nickel-PTFE RoHS Compliant			
		<b>Z1</b> Stainless Steel / Passivated RoHS Compliant			

Dimensions in inches (millimeters) and are subject to change without notice.

# Series 803 Mighty Mouse ¼ Turn Bayonet Coupling Jam Nut Receptacle Dimensions

803-004-07 and 803-003-07



**Integral Band Platform**  
803-003-07

**Accessory Thread**  
803-004-07

## DIMENSIONS

Shell Size	Ø A		B Flats		C Flat		Ø D		E Thread	F Thread	Ø G	
	In.	mm.	In.	mm.	In.	mm.	In.	mm.			In.	mm.
5	.575	14.61	.545	13.84	.350	8.89	.300	7.62	.3750-32 UNEF-2A	.2500-32 UNEF-2A	.230	5.84
6	.635	16.13	.595	15.11	.410	10.41	.362	9.19	.4375-28 UNEF-2A	.3125-32 UNEF-2A	.286	7.26
7	.755	19.18	.723	18.36	.536	13.61	.436	11.07	.5625-32 UN-2A	.4375-28 UNEF-2A	.390	9.91
8	.755	19.18	.790	20.11	.593	15.10	.508	12.91	.6250-28 UN-2A	.5000-28 UNEF-2A	.440	11.18
9	.830	21.08	.790	20.07	.596	15.14	.561	14.25	.6250-28 UN-2A	.5625-24 UNEF-2A	.500	12.70
10	.890	22.61	.925	23.51	.721	18.31	.635	16.13	.7500-28 UN-2A	.6250-24 UNEF-2A	.562	14.27
12	1.078	27.38	1.044	26.52	.845	21.46	.714	18.14	.8750-28 UN-2A	.6875-24 UNEF-2A	.650	16.51
14	1.264	32.11	1.230	31.24	1.022	25.96	.865	21.97	1.0625-20 UN-2A	.9375-20 UNEF-2A	.805	20.45

## ALTERNATE KEY POSITIONS

Pos.	A°	B°
N	150°	210°
X	75°	210°
Y	95°	230°
Z	140°	275°

## JAM NUT PANEL CUTOUT

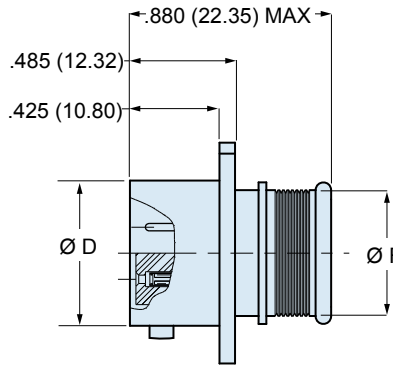
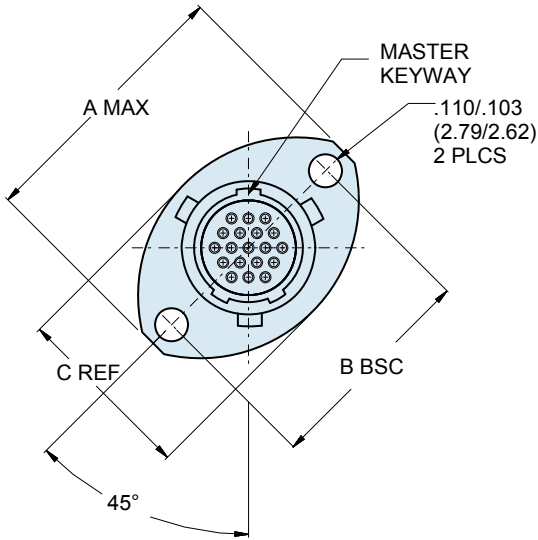
Shell Size	A Flat		Ø B	
	In. ± .002	mm. ± 0.05	In.	mm.
5	.355	9.02	.382	9.70
6	.415	10.54	.445	11.30
7	.541	13.74	.572	14.53
8	.603 .599	15.32 15.21	.635	16.13
9	.601	15.27	.643	16.33
10	.731 .727	18.57 18.47	.760	18.29
12	.850	21.59	.885	22.48
14	1.031	26.19	1.072	27.23

Dimensions in inches (millimeters) and are subject to change without notice.

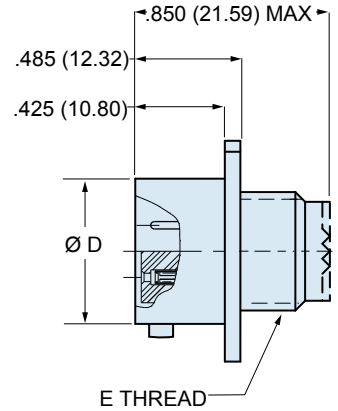
# Series 803 Mighty Mouse ¼ Turn Bayonet Coupling Flange Mount Receptacle Dimensions 803-004-02 and 803-003-02 Crimp Receptacles



Series 803



**Integral Band Platform**  
803-003-02



**Accessory Thread**  
803-004-02

## DIMENSIONS

Shell Size	A Max.		B Bsc.		C Ref.		Ø D		E Thread	Ø F	
	In.	mm.	In.	mm.	In.	mm.	In.	mm.		In.	mm.
5	.703	17.86	.513	13.03	.460	11.68	.300	7.62	.2500-32 UNEF-2A	.230	5.84
6	.788	20.02	.598	15.19	.522	13.26	.362	9.19	.3125-32 UNEF-2A	.286	7.26
7	.890	22.61	.708	17.98	.590	14.99	.436	11.07	.4375-28 UNEF-2A	.390	9.91
8	1.154	29.31	.964	24.49	.668	16.97	.508	12.91	.5000-28 UNEF-2A	.440	11.18
9	1.207	30.66	1.017	25.83	.721	18.31	.561	14.25	.5625-24 UNEF-2A	.500	12.70
10	1.291	32.79	1.101	27.97	.795	20.19	.635	16.13	.6250-24 UNEF-2A	.562	14.27
12	1.394	35.41	1.204	30.58	.874	22.20	.714	18.14	.6875-24 UNEF-2A	.650	16.51
14	1.545	39.24	1.280	32.51	1.050	26.67	.865	21.97	.9375-20 UNEF-2A	.805	20.45

## ALTERNATE KEY POSITIONS

Pos.	A°	B°
N	150°	210°
X	75°	210°
Y	95°	230°
Z	140°	275°

## FLANGE MOUNT PANEL CUTOUTS

Shell Size	A		Ø B	
	In.	mm.	In.	mm.
5	.513	13.03	.365	9.25
6	.598	15.19	.430	10.92
7	.708	17.98	.520	13.21
8	.964	17.98	.592	15.04
9	1.017	25.83	.645	16.38
10	1.101	27.97	.726	18.44
12	1.204	30.58	.832	21.13
14	1.280	32.51	.945	24.00

Dimensions in inches (millimeters) and are subject to change without notice.

© 2010 Glenair, Inc.

CAGE Code 06324

Printed in U.S.A.

GLENAIR, INC. • 1211 AIR WAY • GLENDALE, CA 91201-2497 • 818-247-6000 • FAX 818-500-9912

www.glenair.com

F-9

E-Mail: sales@glenair.com

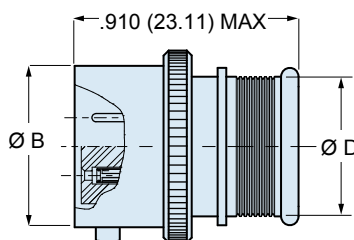
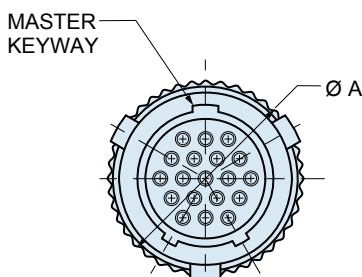
01-JANUARY-2010



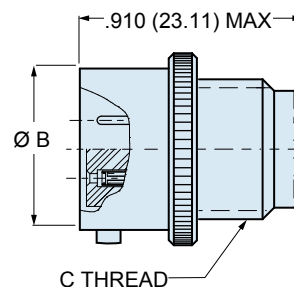
# Series 803 Mighty Mouse ¼ Turn Bayonet Coupling

## In-Line Receptacle Dimensions

### 803-004-01 and 803-003-01 Crimp Receptacles



**Integral Band Platform**  
803-003-01



**Accessory Thread**  
803-004-01

### DIMENSIONS

Shell Size	A Max.		Ø B		C Thread	Ø D	
	In.	mm.	In.	mm.		In.	mm.
5	.402	10.21	.300	7.62	.2500-32 UNEF-2A	.230	5.84
6	.465	11.81	.362	9.19	.3125-32 UNEF-2A	.286	7.26
7	.500	12.70	.436	11.07	.4375-28 UNEF-2A	.390	9.91
8	.570	14.48	.508	12.90	.5000-28 UNEF-2A	.440	11.18
9	.652	16.56	.561	14.25	.5625-24 UNEF-2A	.500	12.70
10	.715	18.15	.635	16.13	.6250-24 UNEF-2A	.562	14.27
12	.805	20.45	.714	18.14	.6875-24 UNEF-2A	.650	16.51
14	.915	23.24	.865	21.97	.9375-20 UNEF-2A	.805	20.45

### ALTERNATE KEY POSITIONS

Pos.	A°	B°
N	150°	210°
X	75°	210°
Y	95°	230°
Z	140°	275°

Dimensions in inches (millimeters) and are subject to change without notice.

# Series 803 Mighty Mouse 1/4 Turn Bayonet Coupling PCB Connector Ordering Information

803-005, 803-015



Series 803




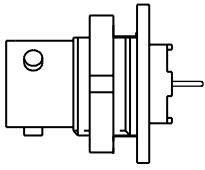
**Series 803 Printed Circuit Board Receptacle**

**Printed Circuit Board/Solder Cup Receptacles** feature low profile shells for minimum protrusion inside enclosures and integral standoffs for board washout. Contacts are non-removable.

**Water Immersion, Unmated**

Specify **803-005** connectors for applications where open face water immersion is not a requirement. For MIL-STD-810 Method 512G immersion requirements, specify **803-015** watertight connectors. These 803-015 connectors are specially sealed ("MOD-518") and are 100% tested to maintain a helium leak rate of  $1 \times 10^{-4}$  cc/second at one atmosphere pressure differential from -40C to +70C. **NOTE: mated connectors are not submersible.**

## HOW TO ORDER SERIES 803 PRINTED CIRCUIT BOARD RECEPTACLES

Sample Part Number					
803-005	-07	ZN	6-7	S	N
Series	Shell Style	Shell Material / Finish	Shell Size- Insert Arrangement	Contact Type	Shell Key Position
<p><b>803-005</b> Receptacle for Solder Cup or PCB Termination, with Standard Epoxy Potting</p>	 <p>- 02 Flange Mount</p>	<p><b>C</b> Aluminum / Black Anodize (Non-Conductive) RoHS Compliant</p> <p><b>M</b> Aluminum / Electroless Nickel RoHS Compliant</p> <p><b>NF</b> Aluminum / Cadmium with Olive Drab Chromate</p>	<p>SEE <b>CONTACT ARRANGEMENTS</b> PAGE F-2</p>	<p><b>P</b> Pin, PC Tail</p>	<p><b>N</b> Normal Alternative Key Positions: <b>X</b> <b>Y</b> <b>Z</b></p>
<p><b>803-015</b> Receptacle for Solder Cup or PCB Termination, With Resilient Silicone Potting For Watertight Seal from -40° to +70°C (15 PSI Pressure Differential)</p>	 <p>- 07 Jam Nut</p>	<p><b>ZN</b> Aluminum / Zinc-Nickel with Olive Drab Chromate</p> <p><b>ZNU</b> Aluminum / Zinc-Nickel with Black Chromate</p> <p><b>MT</b> Aluminum / Nickel-PTFE RoHS Compliant</p> <p><b>Z1</b> Stainless Steel / Passivated RoHS Compliant</p>		<p><b>S</b> Socket, PC Tail</p> <p><b>E</b> Pin, Solder Cup</p> <p><b>F</b> Socket, Solder Cup</p>	

F

Dimensions in inches (millimeters) and are subject to change without notice.

© 2010 Glenair, Inc.

CAGE Code 06324

Printed in U.S.A.

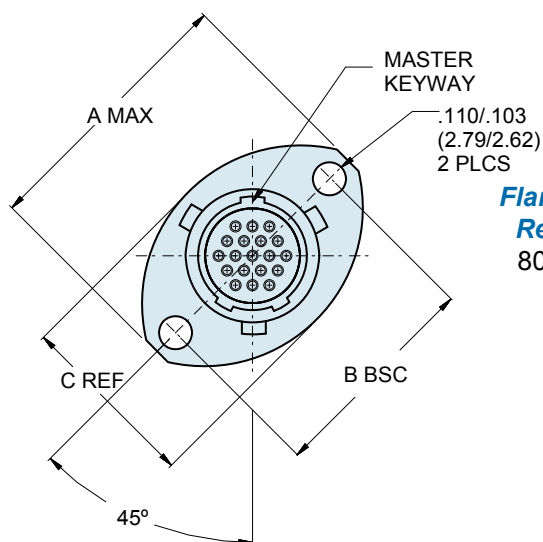
**GLENAIR, INC. • 1211 AIR WAY • GLENDALE, CA 91201-2497 • 818-247-6000 • FAX 818-500-9912**

www.glenair.com

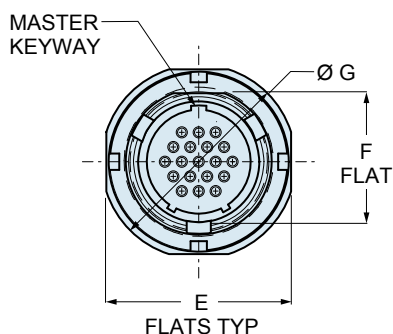
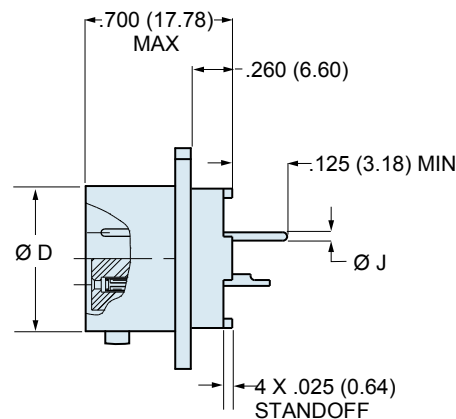
F-11

E-Mail: sales@glenair.com

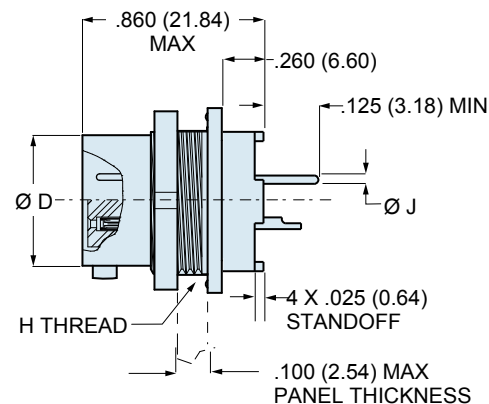
01-JANUARY-2010



**Flange Mount Receptacle**  
803-005-02



**Jam Nut Receptacle**  
803-005-07



### DIMENSIONS

Shell Size	A Max.		B Bsc.		C Ref.		Ø D		E Flats		F Flat		Ø G		H Thread	Ø J Tail Dia.
	In.	mm.	In.	mm.	In.	mm.	In.	mm.	In.	mm.	In.	mm.	In.	mm.		
5	.703	17.86	.513	13.03	.460	11.68	.300	7.62	.545	13.84	.350	8.89	.575	14.61	.3750-32 UNEF-2A	#23 (0.46/0.56)
6	.788	20.02	.598	15.19	.522	13.26	.362	9.19	.595	15.11	.410	10.42	.635	16.13	.4375-28 UNEF-2A	#20 (0.61/0.71)
7	.890	22.61	.708	17.98	.590	14.99	.436	11.07	.723	18.36	.536	13.61	.755	19.18	.5625-32 UN-2A	#16 (1.52/1.63)
8	1.154	29.31	.964	24.49	.668	16.97	.508	12.91	.790	18.36	.593	14.53	.755	19.18	.6250-28 UN-2A	#12 (0.92/0.96)
9	1.207	30.66	1.017	25.83	.721	18.31	.561	14.25	.790	20.07	.596	15.14	.830	21.08	.6250-28 UN-2A	#12 (2.34/2.44)
10	1.291	32.79	1.101	27.97	.795	20.19	.635	16.13	.925	21.72	.721	18.31	.890	22.61	.7500-28 UN-2A	
12	1.394	35.41	1.204	30.58	.874	22.20	.714	18.14	1.044	26.52	.845	21.46	1.078	27.38	.8750-28 UN-2A	
14	1.545	39.24	1.280	32.51	1.050	26.67	.865	21.97	1.230	31.24	1.022	25.96	1.264	32.11	1.0625-20 UN-2A	

Dimensions in inches (millimeters) and are subject to change without notice.

# Series 803 Mighty Mouse ¼ Turn Bayonet Coupling Hermetic Receptacle Connector Ordering Information

803-006



Series 803



**Series 803 Hermetic  
Jam Nut Mount**

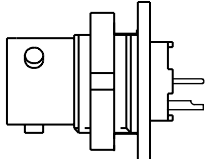

**Series 803 Hermetic Receptacles** feature 304L stainless steel shells, fused vitreous glass insulators and gold-plated Alloy 52 iron alloy contacts.

**1000 PSI Pressure Rating** in open face (unmated) condition.

**Solder Cup Or PCB Contacts**

**1 X 10<sup>-7</sup> cc/second** maximum helium leak rate when tested at 1 atmosphere vacuum.

**Two Shell Styles** are available: Jam Nut and Flange Mount.

HOW TO ORDER					
Sample Part Number					
803-006	-07	Z1	9-19	P	N
Series	Shell Style	Shell Material / Finish	Shell Size/Insert	Contact Type	Shell Key Position
<b>803-006</b> Hermetic Receptacles with Printed Circuit Board Contacts or Solder Cup Contacts	 - 07 Jam Nut	<b>Z1</b> Stainless Steel / Passivated  <b>ZL</b> Stainless Steel/ Nickel Plated	SEE <b>CONTACT ARRANGEMENTS</b> PAGE F-2	<b>P</b> Pin, Solder Cup  <b>C</b> Pin, PC Tail  <b>S</b> Socket, Solder Cup  <b>D</b> Socket, PC Tail	<b>N</b> Normal  Alternate Key Positions:  <b>X</b>  <b>Y</b>  <b>Z</b>
	 - 02 Flange Mount				

Dimensions in inches (millimeters) and are subject to change without notice.

© 2010 Glenair, Inc.

CAGE Code 06324

Printed in U.S.A.

**GLENAIR, INC. • 1211 AIR WAY • GLENDALE, CA 91201-2497 • 818-247-6000 • FAX 818-500-9912**

www.glenair.com

**F-13**

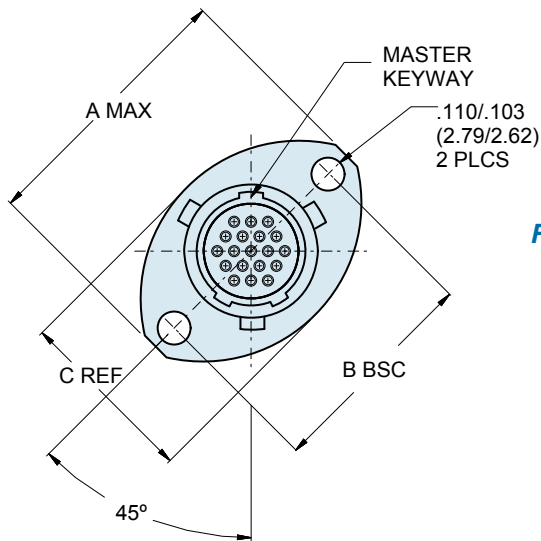
E-Mail: sales@glenair.com

14-SEPTEMBER-2011

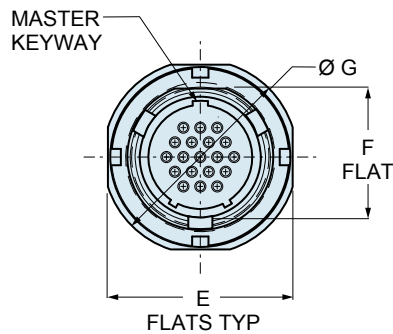
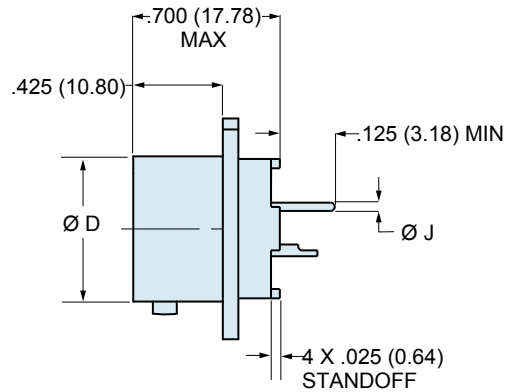
F

# Series 803 Mighty Mouse ¼ Turn Bayonet Coupling Flange Mount and Jam Nut Receptacle Dimensions

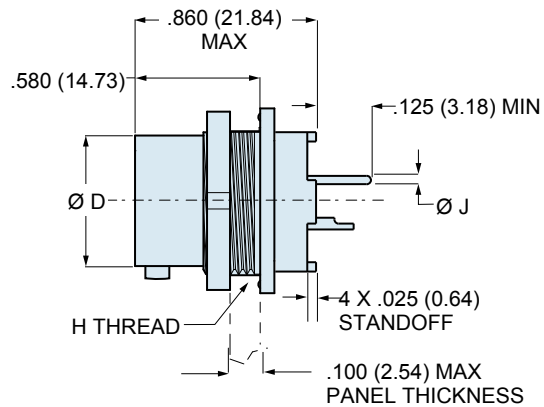
803-006-02 and 803-006-07



**Flange Mount  
Receptacle**  
803-006-02



**Jam Nut  
Receptacle**  
803-006-07



## DIMENSIONS

Shell Size	A Max.		B Bsc.		C Ref.		Ø D		E Flats		F Flat		Ø G		H Thread	Ø J Tail Dia.
	In.	mm.	In.	mm.	In.	mm.	In.	mm.	In.	mm.	In.	mm.	In.	mm.		
5	.703	17.86	.513	13.03	.460	11.68	.300	7.62	.545	13.84	.350	8.89	.575	14.61	.3750-32 UNEF-2A	#23
6	.788	20.02	.598	15.19	.522	13.26	.362	9.19	.595	15.11	.410	10.42	.635	16.13	.4375-28 UNEF-2A	.018/.022 (0.46/0.56)
7	.890	22.61	.708	17.98	.590	14.99	.436	11.07	.723	18.36	.536	13.61	.755	19.18	.5625-32 UN-2A	#20
8	1.154	29.31	.964	24.49	.668	16.97	.508	12.91	.790	20.07	.593	15.10	.755	19.18	.6250-32 UN-2A	.024/.028 (0.61/0.71)
9	1.207	30.66	1.017	25.83	.721	18.31	.561	14.25	.790	20.07	.596	15.14	.830	21.08	.6250-28 UN-2A	#16
10	1.291	32.79	1.101	27.97	.795	20.19	.635	16.13	.925	23.51	.925	.721	.890	22.61	.7500-28 UN-2A	.060/.064 (1.52/1.63)
12	1.394	35.41	1.204	30.58	.874	22.20	.714	18.14	1.044	26.52	.845	21.46	1.078	27.38	.8750-28 UN-2A	#12
14	1.545	39.24	1.280	32.51	1.050	26.67	.865	21.97	1.230	31.24	1.022	25.96	1.264	32.11	1.0625-20 UN-2A	.092/.096 (2.34/2.44)

Dimensions in inches (millimeters) and are subject to change without notice.



Overmolded Cordset

**Abrasion-Resistant Polyurethane Jacket** provides cold temperature flexibility and high strength. Low smoke/zero halogen material meets requirements for low toxicity.

**90% Tinned Copper Braid** is terminated directly to connector with stainless steel **BAND-IT®** strap.

**Watertight Overmold** provides strain relief and protection.

## Series 803 Harsh Environment Shielded Cordsets

These overmolded cordsets withstand abrasion and chemical exposure. Low smoke zero halogen jacket reduces the amount of toxic and corrosive gasses emitted during combustion. Cable construction features silver coated stranded conductors with TFE insulation, tinned copper braid shield and extruded polyurethane jacket. Choose single-ended pigtails or double-ended "back-to-back" versions. Braid shield is attached directly to connector with **BAND-IT®** straps. Semi-rigid polyamide overmold provides strain relief and environmental sealing.

Series 801 cordsets are now available with size #20HD, #16 and #12 contacts. Ordering information is found on the following pages.

### HARSH ENVIRONMENT CORDSET SPECIFICATIONS

Cable Jacket Material	Thermoplastic Polyurethane, Black, Low-Smoke, Zero-Halogen
Cable Shield	Tin-Coated Copper Braid, 90% Minimum Coverage
Conductors	Silver Coated Stranded Wire, TFE Insulated, Per M22759/11
<b>BAND-IT®</b> Shield Termination Band	Stainless Steel
Current Rating	#23 5 Amps, #20HD 7.5 Amps, #16 13 Amps, #12 23 Amps
Test Voltage (Dielectric Withstanding Voltage)	#23 500 VAC, #20HD 700 VAC, #16 and #12 1800 VAC Sea Level
Insulation Resistance	200 megohms minimum
Operating Temperature	-30° C. to +105° C.
Solvent Resistance, Polyamide Overmold	Excellent Resistance to Most Solvents, Fuels, and Oils; Poor Resistance to Strong Acids and Bipolar Solvents (Alcohol)
Shielding Effectiveness	50 dB minimum from 100MHz to 1000MHz.
Cable jacket Flammability and Toxicity	Toxicity Index 3.9 per NES 713 Oxygen Index 28% per ASTM D-2863 Smoke Index 24 per NES 711

Dimensions in inches (millimeters) and are subject to change without notice.





# Series 803 Mighty Mouse ¼ Turn Bayonet Coupling Overmolded ASAP Cordset Dimensions

803-009, 803-016

## SERIES 803 CORDSETS WITH SIZE #23 CONTACTS

Sample Part Number								
803-009	-A	C	2	M	9-19	P	N	-72
Series	End A Connector	End B Connector	Wire Size	Shell Material / Finish	Insert Arr.	Protective Cover	Shell Key Pos.	Length
803-009 Overmolded Cordset, Shielded, with Low Smoke/Zero Halogen Polyurethane Jacket, Size #23 Contacts	- A	A	2	M	5-3	P	N	Overall Length In Inches 12 Inch Min.
	Plug, with Male Pin Contacts	Plug, with Male Pin Contacts	#22 AWG	Aluminum / Electroless Nickel	6-4	Metal Protective Covers Included	Normal	
	- B	B	4	NF	6-6		X	
	Plug, with Female Socket Contacts	Plug, with Female Socket Contacts	#24 AWG	Aluminum / Cadmium with Olive Drab Chromate	6-7	No Covers Supplied	Pos. X	
	- C	C		ZNU	7-10		Y	
Receptacle, with Male Pin Contacts	Receptacle, with Male Pin Contacts		Aluminum / Zinc-Nickel with Black Chromate	8-13	Pos. Y			
- D	D		MT	9-19	Z	Pos. Z		
Receptacle, with Female Socket Contacts	Receptacle, with Female Socket Contacts		Aluminum / Nickel-PTFE	10-26				
		N	Z1	12-37				
		No Connector (Single-Ended)	Stainless Steel / Passivated	14-55				

## SERIES 803 CORDSETS WITH SIZE #20HD CONTACTS

Sample Part Number								
803-016	-A	C	2	M	7-25	P	N	-72
Series	End A Connector	End B Connector	Wire Size	Shell Material / Finish	Insert Arr.	Protective Cover	Shell Key Pos.	Length
803-016 Overmolded Cordset, Shielded, with Low Smoke/Zero Halogen Polyurethane Jacket, Size #20HD Contacts	- A	A	0	M	6-23	P	N	Overall Length In Inches 12 Inch Min.
	Plug, with Male Pin Contacts	Plug, with Male Pin Contacts	#20 AWG	Aluminum / Electroless Nickel	7-25	Metal Protective Covers Included	Normal	
	- B	B	2	NF	8-28		X	
	Plug, with Female Socket Contacts	Plug, with Female Socket Contacts	#22 AWG	Aluminum / Cadmium with Olive Drab Chromate	9-210	No Covers Supplied	Pos. X	
	- C	C		ZNU	12-220		Y	
Receptacle, with Male Pin Contacts	Receptacle, with Male Pin Contacts		Aluminum / Zinc-Nickel with Black Chromate	14-235	Pos. Y			
- D	D		MT		Z	Pos. Z		
Receptacle, with Female Socket Contacts	Receptacle, with Female Socket Contacts		Aluminum / Nickel-PTFE					
		N	Z1					
		No Connector (Single-Ended)	Stainless Steel / Passivated					

Dimensions in inches (millimeters) and are subject to change without notice.

**Series 803 Mighty Mouse ¼ Turn Bayonet Coupling  
Overmolded ASAP Cordset Dimensions  
803-013, 803-014**



Series 803

**SERIES 803 CORDSETS WITH SIZE #16 CONTACTS**

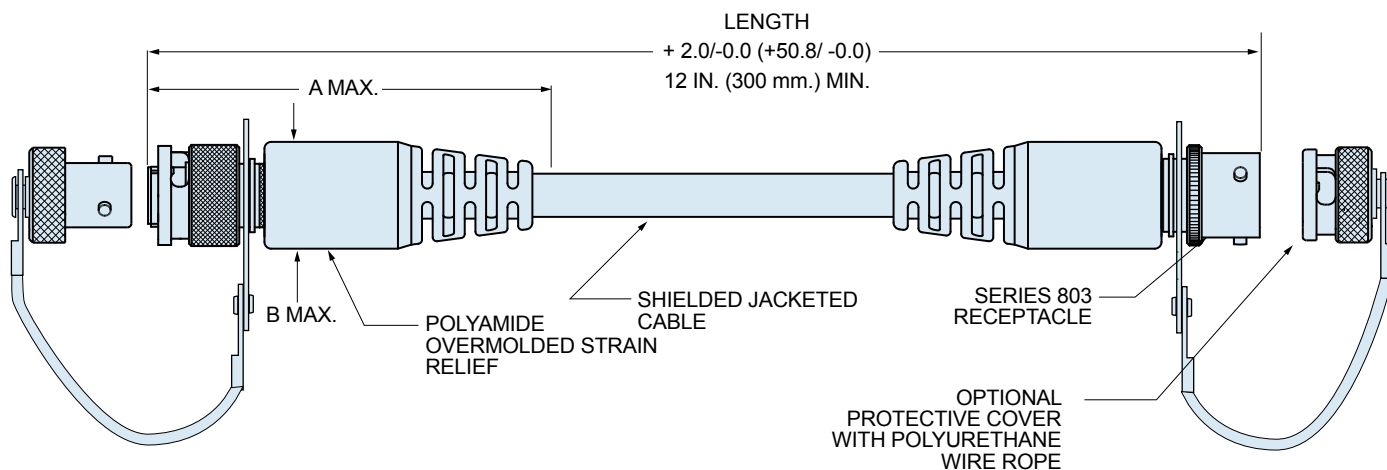
Sample Part Number								
803-013	-A	C	6	M	9-4	P	N	-72
Series	End A Connector	End B Connector	Wire Size	Shell Material / Finish	Insert Arr.	Protective Cover	Shell Key Pos.	Length
803-013 Overmolded Cordset, Shielded, with Low Smoke/Zero Halogen Polyurethane Jacket, Size #16 Contacts	-A Plug, with Male Pin Contacts	A Plug, with Male Pin Contacts	6 #16 AWG	M Aluminum / Electroless Nickel	6-1 8-2 9-4	P Metal Protective Covers Included	N Normal	Overall Length In Inches 12 Inch Min.
	-B Plug, with Female Socket Contacts	B Plug, with Female Socket Contacts	8 #18 AWG	NF Aluminum / Cadmium with Olive Drab Chromate	10-5 12-7 14-12		X Pos. X	
	-C Receptacle, with Male Pin Contacts	C Receptacle, with Male Pin Contacts		ZNU Aluminum / Zinc-Nickel with Black Chromate		N No Covers Supplied	Y Pos. Y	
	-D Receptacle, with Female Socket Contacts	D Receptacle, with Female Socket Contacts		MT Aluminum / Nickel-PTFE			Z Pos. Z	
	N No Connector (Single-Ended)	N No Connector (Single-Ended)		Z1 Stainless Steel / Passivated				

F

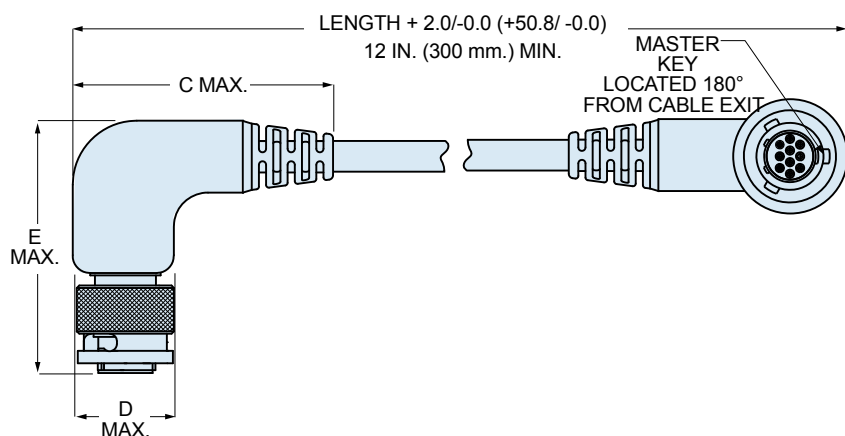
**SERIES 803 CORDSETS WITH SIZE #12 CONTACTS**

Sample Part Number								
803-014	-A	C	2	M	10-2	N	N	-72
Series	End A Connector	End B Connector	Wire Size	Shell Material / Finish	Insert Arr.	Protective Cover	Shell Key Pos.	Length
803-014 Overmolded Cordset, Shielded, with Low Smoke/Zero Halogen Polyurethane Jacket, Size #12 Contacts	-A Plug, with Male Pin Contacts	A Plug, with Male Pin Contacts	2 #12 AWG	M Aluminum / Electroless Nickel	7-1 10-2 12-2	P Metal Protective Covers Included	N Normal	Overall Length In Inches 12 Inch Min.
	-B Plug, with Female Socket Contacts	B Plug, with Female Socket Contacts	4 #14 AWG	NF Aluminum / Cadmium with Olive Drab Chromate	12-3 14-5		X Pos. X	
	-C Receptacle, with Male Pin Contacts	C Receptacle, with Male Pin Contacts		ZNU Aluminum / Zinc-Nickel with Black Chromate		N No Covers Supplied	Y Pos. Y	
	-D Receptacle, with Female Socket Contacts	D Receptacle, with Female Socket Contacts		MT Aluminum / Nickel-PTFE			Z Pos. Z	
	N No Connector (Single-Ended)	N No Connector (Single-Ended)		Z1 Stainless Steel / Passivated				

Dimensions in inches (millimeters) and are subject to change without notice.



## RIGHT ANGLE CORDSETS



**How To Order Right Angle Cordsets**  
Insert the letter "R" after the End A or End B Connector letter designator.

### Example

Straight cable 803-009-AC4M6-4PN-72  
Right Angle 803-009-ARCR4M6-4PN-72

## DIMENSIONS

Shell Size	A Max.		B Max.		C Max.		D Max.		E Max.	
	In.	mm.	In.	mm.	In.	mm.	In.	mm.	In.	mm.
5	2.15	54.61	0.6	15.24	1.5	38.1	0.6	15.24	1.85	46.99
6	2.15	54.61	0.6	15.24	1.5	38.1	0.6	15.24	1.85	46.99
7	2.15	54.61	0.7	17.78	1.5	38.1	0.7	17.78	2.05	52.07
8	2.25	57.15	0.8	19.05	1.6	40.64	0.8	19.05	2.15	54.61
9	2.55	64.77	0.9	21.59	1.9	48.26	0.9	21.59	2.35	59.69
10	2.55	64.77	0.9	21.59	1.9	48.26	0.9	21.59	2.35	59.69
12	2.85	72.39	1.1	27.94	2.2	55.88	1.1	27.94	2.85	72.39
14	3.15	80.01	1.3	33.02	2.5	63.5	1.3	33.02	3.25	82.55

Dimensions in inches (millimeters) and are subject to change without notice.

# Series 803 Mighty Mouse ¼ Turn Bayonet Coupling Protective Cover Ordering Information

660-082 and 660-083



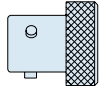
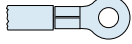
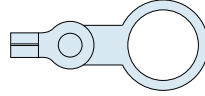
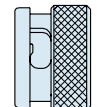

**Protect Connectors From Damage** – Machined aluminum covers prevent ingress of contamination and water.

**Stainless Steel Fittings and Rings** – Choose small diameter eye fittings for panel attachment. Larger rings fit under the jam nut or over cable jackets. Split rings can be installed on fully assembled cables.

**Polyurethane-Coated SST Wire Rope** offers high strength, excellent abrasion resistance and good flexibility. Or, choose Teflon® jacket for high temperature exposure.

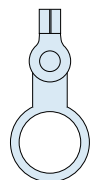
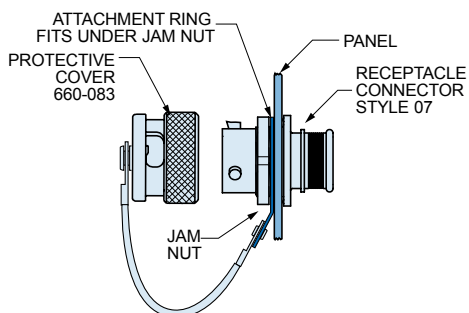
**Braided Nylon Rope** provides excellent flexibility and good abrasion resistance, and can be ordered with slip knot fittings for easy installation on any size cable.

## HOW TO ORDER SERIES 803 BAYONET PROTECTIVE COVERS

Sample Part Number								
660-082	-M	H	9	06	-6			
Series	Shell Material / Finish	Attachment Type	Shell Size	Attachment Code	Attachment Length in Inches			
 <b>660-082</b> Protective Cover for use with Bayonet Plug Connectors	<b>C</b> Aluminum / Black Anodize (Non-Conductive) RoHS Compliant  <b>M</b> Aluminum / Electroless Nickel RoHS Compliant  <b>NF</b> Aluminum / Cadmium with Olive Drab Chromate  <b>ZN</b> Aluminum / Zinc-Nickel with Olive Drab Chromate  <b>ZNU</b> Aluminum / Zinc-Nickel with Black Chromate  <b>MT</b> Aluminum / Nickel-PTFE RoHS Compliant  <b>Z1</b> Stainless Steel / Passivated RoHS Compliant	<b>G</b> Nylon Rope	<b>5</b> <b>6</b> <b>7</b> <b>8</b> <b>9</b> <b>10</b> <b>12</b> <b>14</b>	Omit for attachment Types <b>N</b> (No Attachment) and <b>SK</b> (Slip Knot)	Omit for attachment Type <b>N</b> (No Attachment) <b>Example</b> "-6" equals six inch length			
		<b>H</b> SST Wire Rope, Teflon® Jacket	<b>9</b>	 Small Ring		<b>01</b> – .126 (3.20) I.D. <b>02</b> – .145 (3.68) I.D. <b>04</b> – .188 (4.78) I.D. <b>06</b> – .197 (5.00) I.D.		
		<b>N</b> No Attachment	<b>9</b>	 Large Ring		<b>14</b> – .385 (9.78) I.D. <b>15</b> – .445 (11.30) I.D. <b>16</b> – .570 (14.48) I.D. <b>17</b> – .635 (16.13) I.D. <b>18</b> – .695 (17.65) I.D. <b>19</b> – .885 (22.48) I.D. <b>20</b> – 1.070 (27.17) I.D.		
		<b>S</b> SST Sash Chain	<b>9</b>					
		<b>SK</b> Nylon Rope With Slip Knot	<b>9</b>					
		<b>T</b> SST Wire Rope, No Jacket	<b>9</b>					
		 <b>660-083</b> Protective Cover for use with Bayonet Receptacle Connectors	<b>ZNU</b> Aluminum / Zinc-Nickel with Black Chromate  <b>MT</b> Aluminum / Nickel-PTFE RoHS Compliant  <b>Z1</b> Stainless Steel / Passivated RoHS Compliant	<b>U</b> SST Wire Rope, Polyurethane Jacket		<b>9</b>	 Split Ring	<b>50</b> – .420 (10.67) I.D. <b>52</b> – .480 (12.19) I.D. <b>54</b> – .635 (16.13) I.D. <b>56</b> – .745 (18.92) I.D. <b>58</b> – .885 (22.48) I.D. <b>60</b> – 1.010 (25.65) I.D. <b>64</b> – 1.125 (28.58) I.D. <b>68</b> – 1.345 (34.16) I.D.
				<b>SST</b> = Stainless Steel		<b>9</b>		
						<b>9</b>		
						<b>9</b>		

Dimensions in inches (millimeters) and are subject to change without notice.

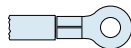
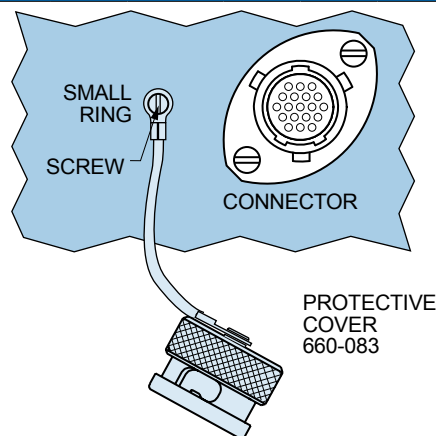
## Attaching a 660-083 Receptacle Cover to a Rear Panel Mounted Jam Nut Receptacle



Solid Ring

Dia. Code	Shell Size	Ring I.D.		Ring O.D.	
		In.	mm.	In.	mm.
14	5	±.010	±0.25	±.015	±0.38
15	6	.385	9.78	.510	12.95
16	7, 8	.445	11.30	.685	17.40
17	9	.570	14.48	.760	19.30
18	10	.635	16.13	.820	20.82
19	12	.695	17.65	1.010	25.65
20	14	.885	22.48	1.195	30.35

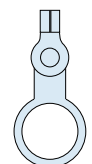
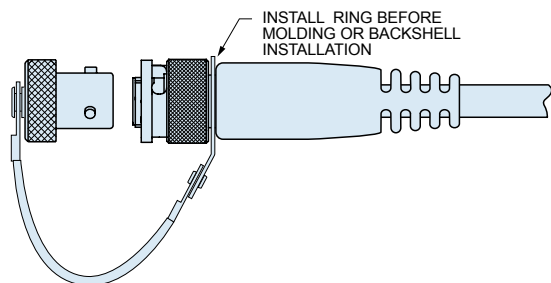
## Attaching a Cover to a Panel With a Screw



Small Ring for Attaching Receptacle Covers to a Panel with a Screw

Dia. Code	Screw Size	Ring I.D.		Ring O.D.	
		In.	mm.	In.	mm.
01	#4, M3	±.005	±0.13	Max.	Max.
02	#6	.126	3.20	.31	7.9
04	#8, M4	.145	3.68	.31	7.9
06	#10	.188	4.78	.31	7.9

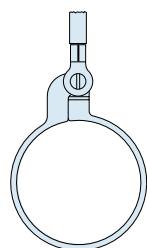
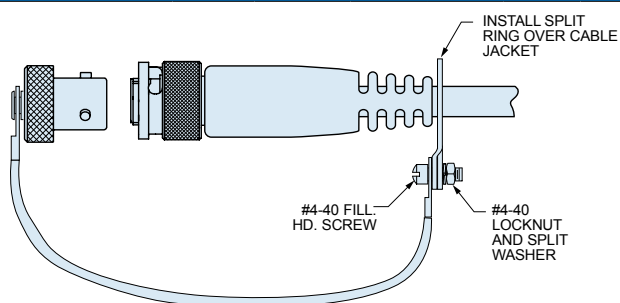
## Attaching a Cover to a Cable Assembly With a Solid Ring



Solid Ring

Dia. Code	Shell Size	Ring I.D.		Ring O.D.	
		In.	mm.	In.	mm.
14	5,6	±.010	±0.25	±.015	±0.38
15	7	.385	9.78	.510	12.95
16	8, 9	.445	11.30	.685	17.40
18	10, 12	.570	14.48	.760	19.30
20	14	.635	16.13	.820	20.82
		.695	17.65	1.010	25.65
		.885	22.48	1.195	30.35

## Attaching a Cover to a Cable Using a Split Ring or Slip Knot



Large Split Ring for Attaching Covers to Cables

Dia. Code	Max. Cable Dia. (in.)	Ring Diameter			
		Min. ID		Max. OD	
		In.	mm.	In.	mm.
50	.410	.420	10.67	.580	14.73
52	.470	.480	12.19	.640	16.26
54	.625	.635	16.13	.796	20.22
56	.735	.745	18.92	.905	22.99
58	.875	.885	22.48	1.046	26.57
60	1.000	1.010	25.65	1.171	29.74
64	1.115	1.125	28.58	1.285	32.64
68	1.335	1.345	34.16	1.505	38.23

Dimensions in inches (millimeters) and are subject to change without notice.

© 2010 Glenair, Inc.

CAGE Code 06324

Printed in U.S.A.

GLENAIR, INC. • 1211 AIR WAY • GLENDALE, CA 91201-2497 • 818-247-6000 • FAX 818-500-9912

www.glenair.com

F-20

E-Mail: sales@glenair.com

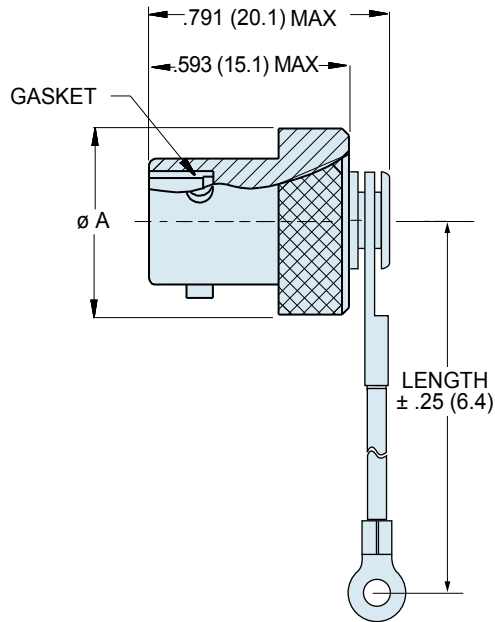
01-JANUARY-2010

# Series 803 Mighty Mouse ¼ Turn Bayonet Coupling Protective Cover Dimensions

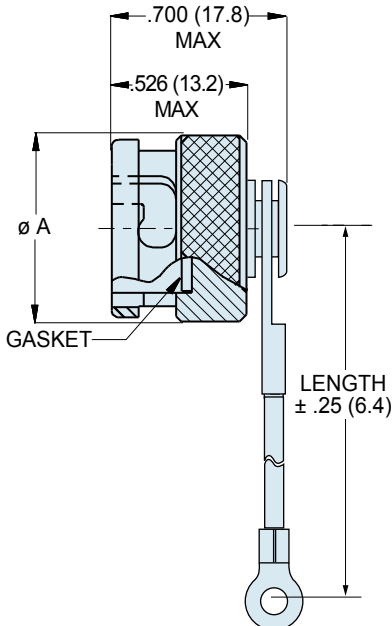
660-082 and 660-083



Series 803



**Plug Cover**  
660-082



**Receptacle Cover**  
660-083

Shell Size	Ø A Max.	
	In.	mm.
5	.620	15.7
6	.620	15.7
7	.620	15.7
8	.690	17.5
9	.760	19.3
10	.850	21.6
12	.940	23.8
14	1.170	29.7

## MATERIALS AND FINISHES

Cover	Aluminum alloy or stainless steel
Gasket	Fluorosilicone rubber
Wire, Hardware	Stainless steel, passivated

## LANYARD OPTIONS

<b>Nylon Rope (G)</b>	-55° to +100°C., black, very flexible, very good abrasion resistance, good resistance to fuels, .120" (3mm) diameter
<b>Polyurethane Coated Wire Rope (U)</b>	Black polyurethane over stainless steel rope, -55° to +125°C., very flexible, excellent abrasion resistance, excellent resistance to fuels, .080" (2mm) diameter
<b>Teflon® Jacketed Wire Rope (H)</b>	Translucent FEP jacket over stainless steel, -55° to +200°C., fair flexibility, good abrasion resistance, .100" diameter
<b>Sash Chain (S)</b>	Stainless steel, #8 chain, .240" (6mm)
<b>Slip Knot (SK)</b> for Attaching Covers to Cable	55° to +100°C., black, very flexible, very good abrasion resistance, good resistance to fuels, .120" (3mm) diameter. Length includes .5" (13mm) diameter loop.

Dimensions in inches (millimeters) and are subject to change without notice.

© 2010 Glenair, Inc.

CAGE Code 06324

Printed in U.S.A.

**GLENAIR, INC. • 1211 AIR WAY • GLENDALE, CA 91201-2497 • 818-247-6000 • FAX 818-500-9912**

www.glenair.com

F-21

E-Mail: sales@glenair.com

09-MARCH-2010